



Wedge gate valve

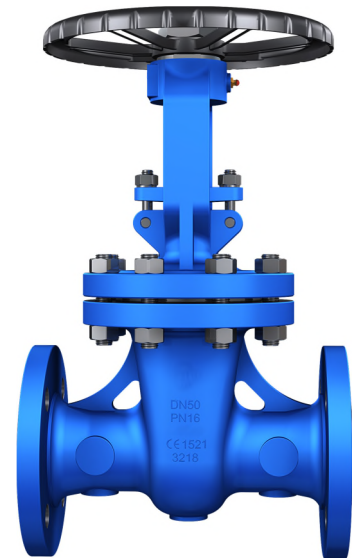
DIN EN 1984 / DIN 3352
flange connection PN16

**A-KOB
516**

Design:

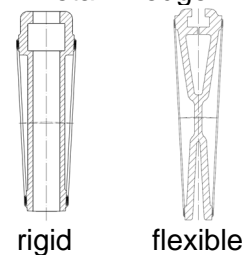
flange connection according to DIN EN 1092
external, rising stem
bolted bonnet
special designs available (ASME, GOST, ...)

stem seal	gland seal
sealing wedge	rigid or flexible wedge
operation	hand wheel gearbox chain wheel electric actuator
operating temperature	-10°C ... +400°C
operating pressure	PN16
pressure test	EN 12266 part 1 and 2 24 bar water, 6 bar air
face to face dimension	EN 558-1 row 15 (previously DIN 3202 F5)
flange connection	DIN EN 1092-1 Form B1 PN10/PN16



example image

Detail Wedge



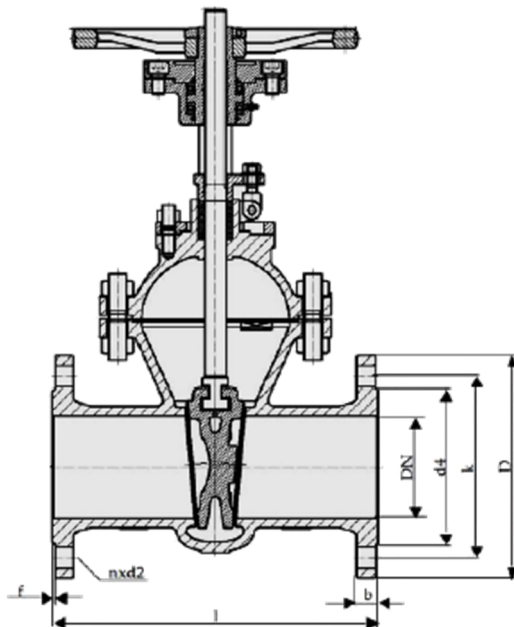
rigid

flexible

Materials:

body	GP240GH / 1.0619
stem	1.4021
seals	1.4021
stem seal	graphite

Dimensions:



DN	D	k	b	n-ød	L
50	165	125	20	4-18	250
65	185	145	18	4-18	270
80	200	160	20	8-18	280
100	235	190	20	8-18	300
125	270	220	22	8-18	325
150	300	250	22	8-22	350
200	340	295	24	12-22	400
250	400	355	26	12-26	450
300	455	410	28	12-26	500
350	520	470	30	16-26	550
400	580	525	32	16-30	600
450	640	585	32	20-30	650
500	715	650	36	20-33	700
600	840	770	40	20-36	800
700	910	840	42	24-36	900
800	1025	950	42	24-39	1000
900	1125	1050	44	28-39	1100
1000	1255	1170	46	28-42	1200
1200	1485	1390	52	32-48	1400

Larger sizes on request

Technical changes and errors reserved!

ACI Industriearmaturen GmbH
www.aci24.com • info@aci24.com
Version 2018-06-28