

APPLICATION:

Round sight glass fittings are used for observation and illumination of the interior of closed vessels (boilers, tanks, silos, etc.).

Sight glass fittings type 318V are round flanged sockets for welding in or on, each completed with a sight glass plate inserted between the gaskets and screwed firmly.

Use for **vacuum vessels** is easily possible due to

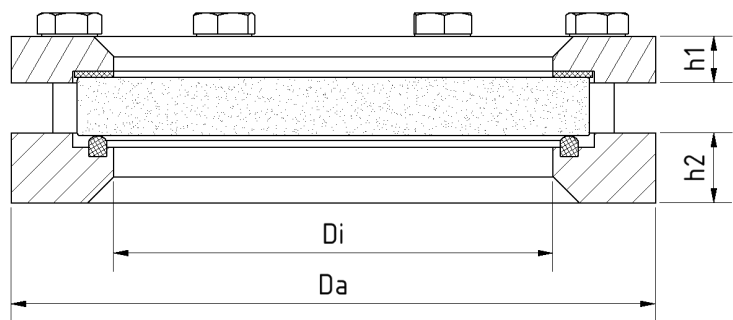
INSTALLATION NOTE:

After welding the base frame to the pressure vessel, check whether the sealing surface has warped. Reworking may be required! Also observe the specified torques for the screw connections!

The operating pressure does not apply to the base flange, this must be verified together with the pressure vessel according to AD 2000 instruction leaflet B9 or equivalent code!

Similar to DIN 28120
Lightweight design
vacuum-suitable¹

Operating conditions:	
Temperature: (depending on glass and gasket)	up to 200 °C ¹ with Borosilicate glass according to DIN 7080 or similar
Pressure:	-0,9 ² to 2,5 bar(g)
¹ limited by gasket	
² depending on environmental variables	



Materials:	
Flange:	1.4571
Glass:	Borosilicate glass according to DIN 7080 or similar Soda-lime glass DIN 8902 Borosilicate glass unhardened
Gasket: ³	sealing ring made of PTFE; FKM; NBR; Silicone; EPDM
Screws:	A4-70
Special materials on request	
³ see INFO gaskets-leaflet	

DN	50	80	100	125	150	200	300
Da [mm]	150	175	200	220	250	300	400
Di [mm]	80	100	125	150	175	225	305
h1 [mm]	12	14	14	16	16	16	20
h2 [mm]	24	24	24	24	24	24	24
Weight [kg]	3,4	4,8	5,7	6,6	8,3	10,8	20,8

PRODUCTCODE:

Group	TYPE	DN	Base flange*	Glass	Gasket	Variant
11	318V	50 80 100 125 150 200 300	1: 1.4571	1: Borosilicate glass (Boro) DIN 7080 2: Soda-lime glass (SLG) DIN 8902 3: Quartz glass 4: Boro DIN 7080 + PTFE - wiper SGW 5: Boro DIN 7080 + silicone - wiper SGW 6: SLG DIN 8902 + PTFE - wiper SGW 7: SLG DIN 8902 + silicone - wiper SGW 8: Borosilicate glass unhardened	1: PTFE 2: FKM 3: NBR 5: Silicone 6: EPDM 8: Special	Assigned by ACI if required

INFO: Unless otherwise stated, the factory standard highlighted is supplied.

*Cover flange according to quotation / order confirmation.

ACCESSORIES:

- a) Wiper SGW with PTFE or silicone wiper blade
- b) LED lights, for Ex- and Non-Ex-areas
- c) FEP protective screen (for higher pH-values)
- d) Mica protection

EXAMPLE:

11-318V-100-1-1-1-00 equivalent to:
ACI Type 318V

DN 100 PN 2,5 - vacuum

Base flange made of 1.4571

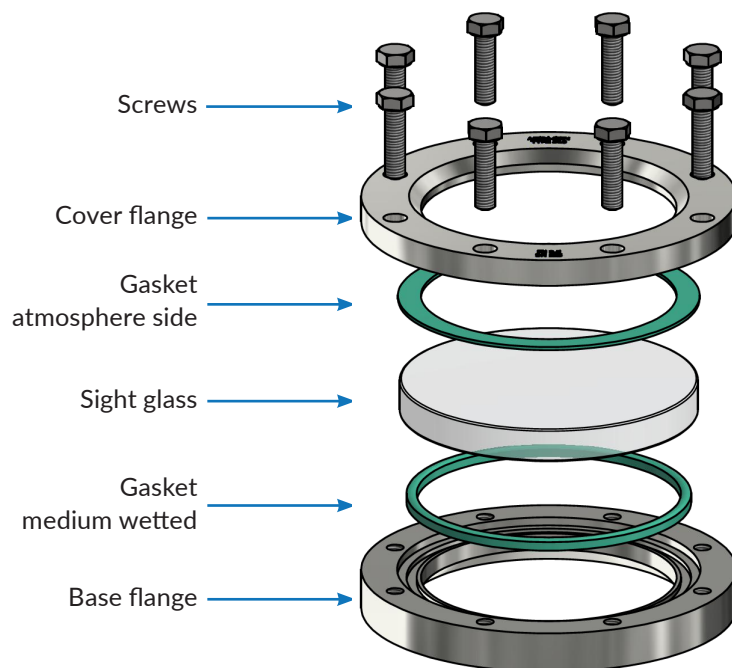
Cover flange made of 1.4541

Borosilicate glass DIN 7080

D-/O-ring gasket PTFE

Standard design

- additional accessories optional



RECOMMENDATION:

For aggressive media or steam, mica discs should be used to protect the glass.