

APPLICATION:

Sight glass flanges with welding socket are suitable for mounting on T-pieces or pipe sockets. They can be used wherever visual checks of filling or flow are required. Equally suitable for liquids and gases. They are particularly suitable for special constructions in various fields of application.

INSTALLATION INSTRUCTIONS:

For installation, the sight glass fitting must be dismantled! After welding in the base flange, check whether the sealing surfaces were distorted! If necessary, rework must be performed! Installing the flange always influences the strength of the pipeline and should be considered according to AD 2000 data sheet B9!

Slip-on flange with welding socket ($\Delta P \leq 16$ bar)

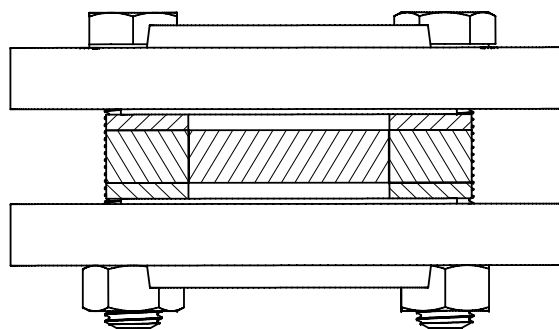
Operating conditions:

Temperature:	150 °C	
(depending on glass and gasket)	280 °C	
	400 °C ¹	
Pressure:	≤ 16	Bar

¹ High temperature on request

Materials:

Flange:	1.4571
Glass:	Borosilicate glass DIN 7080 Soda lime glass DIN 8902
Gasket:	PTFE; FKM; NBR; C4400; Silicone; EPDM; Graphite
Screws:	A4-70
Special materials on request	



NPS NPS according to ANSI / ASME

CLASS CLASS according to ANSI / ASME

Other pressure ratings on request

PRODUCTCODE:

Gruppe	TYPE	NPS	CLASS	Flange	Glass	Gasket	Variant
11	393	... 1" 1 1/2" 2" ... Acc. to standard	1: 150 2: 300 3: 400 4: 600 5: 900 ... Acc. to standard	2: 1.4571 5: Duplex 6: Special	1: Borosilicate glass (Boro) DIN 7080 2: Soda lime glass (NKG) DIN 8902 5: Quartz glass 10: Special	1: PTFE 2: FKM 3: NBR 4: C4400 5: Silicone 6: EPDM 7: Graphite 8: Special	Assigned by ACI if required

INFO: Unless otherwise stated, the factory standard highlighted is supplied.

SPECIAL DESIGNS/OPTIONS:

- a) LED or halogen lights, ATEX-certified, EX
- b) FEP protective screen
- c) Further options on request

EXAMPLE:

11-393-112-1-2-1-7-0 equals the product code:

ACI Type 393
NPS 1 1/2"
CLASS 150
Flange 1.4571
Borosilicate glass
gasket graphite
standard version

ATTENTION!

The pressure-temperature limits according to ASME 16.5 B apply!

Our tool of the same name is available on our website for this purpose.
(www.ACI24.com, in the category Service, Tools)



RECOMMENDATION:

For aggressive media or steam, mica discs should be used to protect the glass.