



APPLICATION:

Observation and illumination of the interior of closed vessels (boilers, tanks, silos, etc.). Type 322 sight glass sockets are suitable for mounting on flanges according to DIN EN 1092-1. A graphite flat gasket serves as a seal. The sight glasses are supplied pre-assembled and ready for installation. Available with [Lloyd's design appraisal](#) in sizes DN40, DN50, DN80, DN100.

INSTALLATION NOTE:

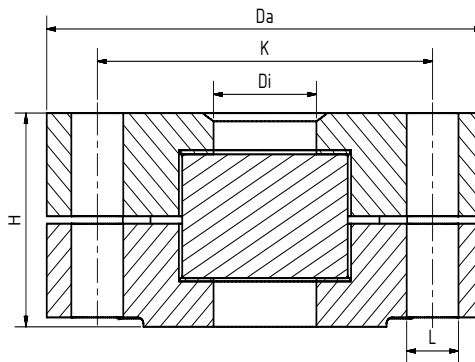
Gaskets suitable for the sealing surfaces should be used. The screw material should be equivalent to or higher than those of the sight glass body. Always use screws that match the hole pattern. If possible, the screw thread and the screw head should be lubricated.

Similar to DIN 28121 with [Lloyd's design appraisal](#) ($\Delta P \leq 160$ bar)



Operating conditions:

Temperature: (depending on glass and gasket)	280 °C 320 °C Mica protection
Pressure:	≤ 40 bis 160^2 Bar
² higher pressures on request	



Materials:

Flange:	1.4571, 1.4539, 2.4605
Glass:	Borosilicate glass DIN 7080
Gasket:	Graphite
Screws:	A4-70
Special materials on request	

DN	40 ¹	50 ¹	80 ¹	100 ¹
Di	40	50	80	100
H (PN40)	82	82	82	102
H (PN63)	82	82	82	102
H (PN100)	82	102	102	102
H (PN160)	92	102	102	122
Da	According to DIN EN 1092-1			
L				
K				

IMPORTANT:

The design appraisal by Lloyd's Register does not replace the final approval of the entire system!

¹ with Lloyd's design appraisal

Other sizes on request ³

PRODUCTCODE:

Group	TYPE	PN	DN	Flange	Glass	Gasket	Variant
11	322	1: 40 2: 63 3: 100 4: 160 5: higher ³	40 50 80 100 larger ³	1: 1.4571 2: 1.4541 3: 1.4404 4: 1.4539 5: 2.4605 6: C-Steel 7: special	1: Borosilicate glass similar (Boro) DIN 7080 2: Boro Mica protection 3: special ³	7: Graphite 8: special ³	Assigned by ACI if required

INFO: Unless otherwise stated, the factory standard highlighted is supplied.

³ without Lloyd´s design appraisal

SPECIAL DESIGNS/OPTIONS:

- a) Double glazing³
- b) Double glazing with heating element³
- c) LED or halogen lamps, ATEX-certified, EX
- d) Additional options on request

EXAMPLE:

11-322-4-100-1-1-7-0 equals the product code:

ACI Type 322
PN160
DN100
flanges 1.4571
borosilicate glass
gasket graphite
standard version

ATTENTION!

The pressure-temperature limits according to DIN EN 1092-1 apply!

Our tool of the same name is available on our website for this purpose.

(www.ACI24.com, in the category Service, Tools)



RECOMMENDATION:

For aggressive media or steam, mica discs should be used to protect the glass.