



### APPLICATION:

Observation and illumination of the interior of closed vessels (boilers, tanks, silos, etc.). Type 322A Sight glass sockets are suitable for mounting on flanges according to ASME B 16.5. A graphite flat gasket serves as a seal. The sight glasses are supplied pre-assembled and ready for installation.

### INSTALLATION NOTE:

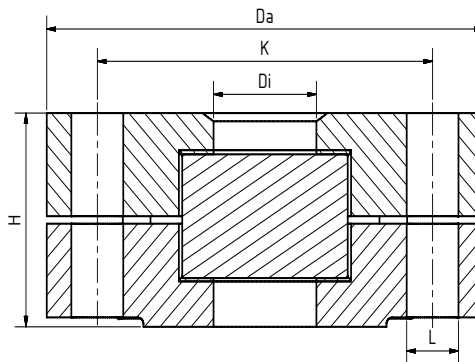
Gaskets suitable for the sealing surfaces should be used. The screw material should be equivalent to or higher than those of the sight glass body. Always use screws that match the hole pattern. If possible, the screw thread and the screw head should be lubricated.

Similar to DIN 28121  
( $\Delta P \leq \text{CLASS}$ )

### Operating conditions:

Temperature: (depending on glass and gasket)	280 °C
Pressure:	≤20 up 250 bar <sup>1</sup>

<sup>1</sup> Pressure rating dependent on CLASS



### Materials:

Flange:	1.4571, 1.4539, 2.4605
Glass:	Borosilicate glass DIN 7080
Gasket:	Graphite
Screws:	A4-70
Special materials on request	

NPS	1 1/2"	2"	3"	4"
Di	40	65	80	100
H	Depending on CLASS and NPS			
Da	According to ASME B 16.5			
L				
K				
Other sizes on request				

## PRODUCTCODE:

Group	TYPE	CLASS	NPS	Flange	Glass	Gasket	Variant
11	322A	1: 150 2: 300 3: 400 4: 600 5: 900 6: 1500 7: higher	1: 1 1/2" 2: 2" 3: 3" 4: 4" 5: larger	1: <b>1.4571</b> 2: 1.4541 3: 1.4404 4: 1.4539 5: 2.4605 6: C-Steel 7: Special	1: <b>Borosilicate glass (Boro) DIN 7080</b>	7: Graphite	Assigned by ACI if required

**INFO:** Unless otherwise stated, the factory standard highlighted is supplied.

## SPECIAL DESIGNS/OPTIONS:

- a) Double glazing
- b) Double glazing with heating element
- c) LED or halogen lamps, ATEX-certified, EX
- d) Additional options on request

## EXAMPLE:

**11-322A-4-2-1-1-7-0** equals the product code:

ACI Type 322A  
CLASS 600  
NPS 2"  
flanges 1.4571  
borosilicate glass  
gasket graphite  
standard version

## ATTENTION!

The pressure-temperature limits according to ASME B 16.5 apply!

Our tool of the same name is available on our website for this purpose.  
([www.ACI24.com](http://www.ACI24.com), in the category Service, Tools)



## RECOMMENDATION:

For aggressive media or steam, mica discs should be used to protect the glass.