



APPLICATION:

Sight glass flanges with threaded connection are suitable for installation in pipelines, boilers, tanks and equipment of all kinds. They can be used wherever visual checks of filling or flow are required. Equally suitable for liquids and gases. They are particularly recommended for special constructions in various fields of application.

INSTALLATION NOTE:

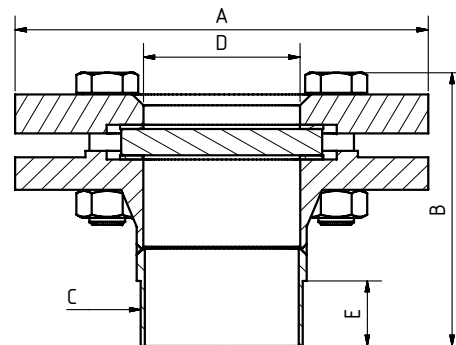
In order to achieve the specified pressure rating, the threaded connection must be sealed with suitable material. Threads are not self-sealing!

**With threaded connection
(BSP thread)
($\Delta P \leq 16$ bar)**

Operating conditions:

Temperature:	150 °C	
(depending on glass and gasket)	280 °C	
	400 °C ¹	
Pressure:	≤ 16	Bar

¹ High temperature on request



Materials:

Flange:	1.4571, 1.4404
Glass:	Borosilicate glass DIN 7080 Soda lime glass DIN 8902 Quartz glass
Gasket:	PTFE; FKM; NBR; C4400; Silicone; EPDM; Graphite
Screws:	A4-70

Special materials on request

DN	25	40	50	65	80	100
A	115	150	165	185	200	220
B	112	129	131	144	161	178
C	G 1"	G1 1/2"	G2"	G2 1/2"	G3"	G4"
D	28	43	54	70	83	107
E	20	22	26	28	35	42
Kg	2,7	4,6	6,0	7,2	9,6	11,2

Dimensions for PN16; other pressure ratings and threads on request

PRODUCTCODE:

Group	TYPE	DN	PN	Base flange*	Glass	Gasket	Variant
11	392	25 40 50 65 80 100 Special	1: 16 2: Special	1: 1.4404 2: 1.4571 5: Duplex 6: Special	1: Borosilicate glass (Boro) DIN 7080 2: Soda lime glass (SLG) DIN 8902 3: Borosilicate glass untempered 5: Quartz glass 6: Boro DIN 7080 with PTFE wiper 7: Boro DIN 7080 with silicone wiper 8: SLG DIN 8902 with PTFE wiper 9: SLG DIN 8902 with silicone wiper	1: PTFE 2: FKM 3: NBR 4: C4400 5: Silicone 6: EPDM 7: Graphite 8: Special	1: High Temperature Assigned by ACI if required

INFO: Unless otherwise stated, the factory standard highlighted is supplied.

*Cover flange according to quotation / order confirmation.

SPECIAL DESIGNS/OPTIONS:

- a) Wiper SWI PTFE or silicone wiper blade (max. 6 bar)
- b) LED or halogen lights, ATEX-certified, EX
- (c) FEP protective screen
- d) High temperature version
- e) Further options on request



EXAMPLE:

11-392-100-1-2-1-1-0 equals the product code:

ACI Type 392
DN100
PN16
Base flange 1.4571
Borosilicate glass
gasket PTFE
standard version

ATTENTION!

The pressure-temperature limits according to DIN EN 1092-1 apply!

Our tool of the same name is available on our website for this purpose.
(www.ACI24.com, in the category Service, Tools)



RECOMMENDATION:

For aggressive media or steam, mica discs should be used to protect the glass.