

#### APPLICATION:

Sight glass flanges with threaded connections are suitable for pipelines, boilers, tanks and apparatus of all kinds. They can be used wherever visual inspections of filling or flow are required. They are equally suitable for liquids and gases. They are also particularly recommended for special designs in various fields of application.

#### INSTALLATION NOTE:

The threaded connection must be sealed with a suitable sealant in order to achieve the specified pressure rating. The connection thread is not designed to be self-sealing!

With threaded connection acc. to  
**DIN EN ISO 228-1**

#### Operating conditions:

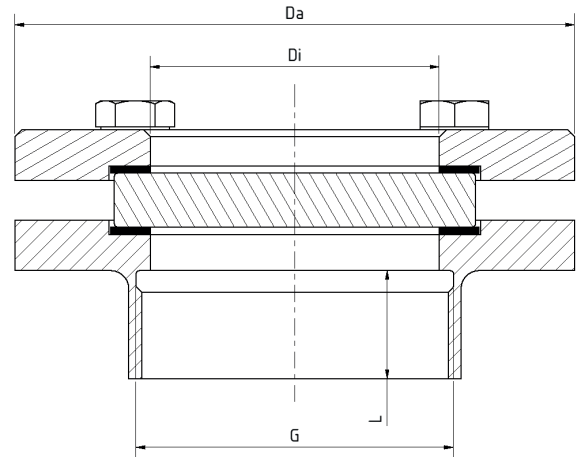
Temperature: (depending on glass and gasket)	up to <b>280 °C</b> with Borosilicate glass acc. to DIN 7080 or similar	
Pressure:	16 -160	bar(g)
Higher pressure on request		

#### Materials:

Flange:	1.4571, 1.4404
Glass:	Borosilicate glass acc. DIN 7080 or similar
Gasket: <sup>1</sup>	PTFE; FKM; NBR; C4400; Silicone; EPDM; Graphite
Screws:	A4-70 / A2-70
Special materials on request <sup>1</sup> See INFO gaskets-leaflet	



PN	G	Da [mm]	Di [mm]	L [mm]	Weight [kg]
16	1/2"	70	15	20	0,8
	1"	95	25	20	1,5
	1 1/2"	110	40	20	2,2
	2"	110	40	20	2,1
40	1/2"	70	15	20	0,8
	1"	95	25	20	1,5
	1 1/2"	110	40	20	2,2
	2"	110	40	20	2,2
63	1/2"	95	15	20	0,8
	1"	95	25	20	1,5
	1 1/2"	like PN 100			
	2"	like PN 100			
100	1/2"	70	15	20	0,8
	1"	95	25	20	1,5
	1 1/2"	110	40	20	2,2
	2"	110	40	20	2,2
160	1/2"	70	15	20	0,8
	1"	95	25	20	1,8
	1 1/2"	110	40	20	2,7
	2"	110	40	20	2,7
other sizes and working pressures on request					
Assembly with hook spanner like DIN 11851					



### PRODUCTCODE:

Group	TYPE	DN	PN	Base flange*	Glass	Gasket	Variant
11	394	1: 1/2" 2: 1" 3: 1 1/2" 4: 2" X: Special	1: 16 2: 40 3: 63 4: 100 5: 160 X: Special	1: 1.4404 2: 1.4571 X: Sonder	1: Borosilicate glass (Boro) DIN 7080 or similar 2: Boro DIN 7080 + PTFE Wiper SGW 3: Boro DIN 7080 + silicone Wiper SGW	1: PTFE 2: FKM 3: NBR 4: C4400 5: Silikon 6: EPDM 7: Graphit X: Sonder	Assigned by ACI if required

**INFO:** Unless otherwise stated, the factory standard highlighted is supplied.

\*Cover flange according to quotation / order confirmation.

### SPECIAL DESIGNS/OPTIONS:

- a) High and low temperature version on request
- b) Vacuum version (similar to 390V)
- c) Wiper SGW
- d) LED lights, for EX and Non-EX areas
- e) FEP protective screen (for higher pH-values)
- f) Mica protection (up to 320 °C with borosilicate glass acc. to DIN 7080 or similar)

### EXAMPLE:

**11-394-2-1-2-1-4-0** equivalent to:

ACI Type 394

Thread 1"

PN 16

Base flange made of 1.4571

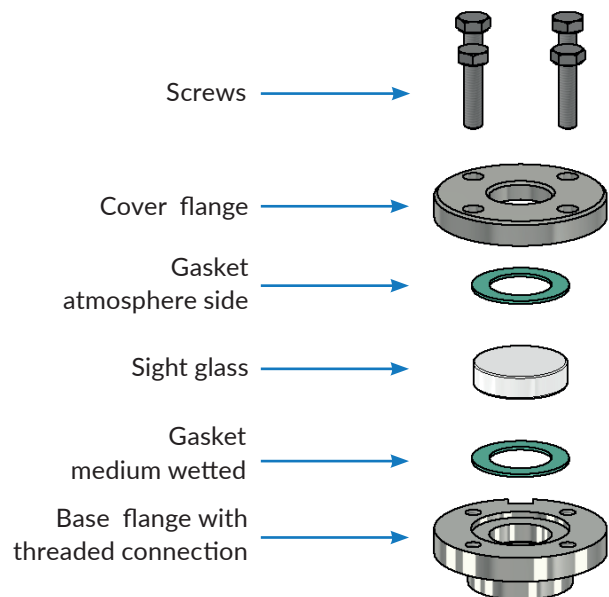
Cover flange made of 1.4571

Borosilicate glass acc. to DIN 7080 or similar

Gasket C4400

**Standard design**

- additional designs optional



### RECOMMENDATION:

For aggressive media or steam, mica discs should be used to protect the glass.