



APPLICATION:

For observation of filling and flow in pipelines. This sight glass allows reliable monitoring of the function and performance of individual equipment as well as entire installations.

Type 520 flow sight glasses are suitable for mounting on flanges according to DIN EN 1092-1. The sight glasses are supplied pre-assembled and ready for installation.

INSTALLATION NOTE:

Gaskets suitable for the sealing surfaces should be used. The screw material should be equivalent to or higher than those of the sight glass body. Always use screws that match the hole pattern. If possible, the screw thread and the screw head should be lubricated.

With flange connections according to DIN 1092-1 ($\Delta P \leq 400$ bar)

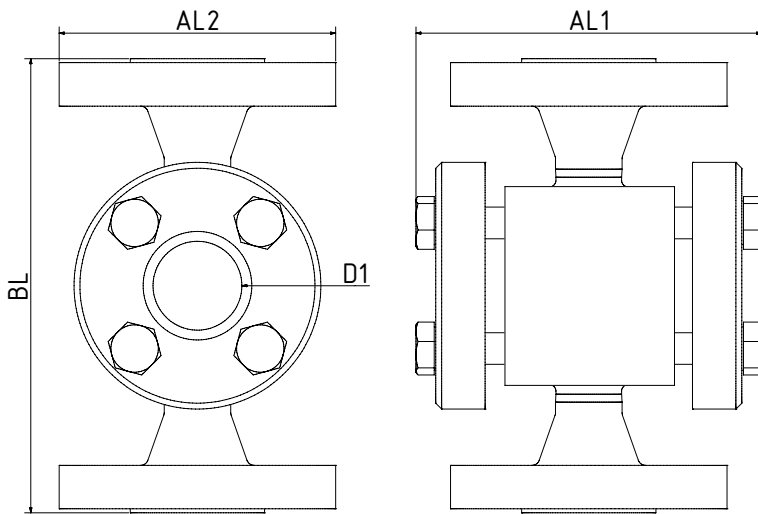
Operating conditions:

| | | |
|---|----------------------|-----|
| Temperature: (depending on glass and gasket) | 280 °C 300 °C | |
| Pressure: | ≤ 40 to 400^1 | Bar |
| ¹ higher if possible on request | | |

Materials:

| | |
|------------------------------|--|
| Body: | 1.4571; 1.4539; 1.4404 |
| Glass: | Borosilicate glass DIN 7080 Quartz glass Mica META® glass Sapphire glass |
| Gasket: | Graphite |
| Screws: | A4-70 |
| Special materials on request | |





NOTE ON OVERALL LENGTH AND DIMENSIONS:

The **overall lengths** are, where possible, according to **DIN EN 558**, but special lengths outside of DIN EN 558 are also possible.

All **dimensions** refer to the factory standard. (Material 1.4571 in combination with borosilicate glass according to DIN 7080) When using other combinations, the dimensions may vary.

| PN | DN | BL | D1 | AL1 | AL2 |
|-----|-----|-----|-----|-----|-----|
| 63 | 15 | 210 | 45 | 170 | 125 |
| | 20 | 230 | 45 | 170 | 140 |
| | 25 | 230 | 45 | 175 | 140 |
| | 40 | 260 | 45 | 185 | 170 |
| | 50 | 300 | 65 | 211 | 185 |
| | 65 | 340 | 80 | 239 | 220 |
| | 80 | 380 | 80 | 264 | 250 |
| | 100 | 430 | 125 | 324 | 300 |
| | 125 | 500 | 125 | 354 | 350 |
| | 150 | 550 | 160 | 435 | 400 |
| 200 | 650 | 160 | 505 | 480 | |
| 100 | 15 | 210 | 45 | 170 | 125 |
| | 20 | 230 | 45 | 170 | 140 |
| | 25 | 230 | 45 | 175 | 140 |
| | 40 | 260 | 45 | 190 | 170 |
| | 50 | 300 | 65 | 211 | 195 |
| | 65 | 340 | 65 | 239 | 220 |
| | 80 | 380 | 80 | 274 | 250 |
| | 100 | 430 | 125 | 354 | 290 |
| | 125 | 500 | 125 | 397 | 350 |
| 160 | 15 | 210 | 20 | 144 | 125 |
| | 25 | 230 | 45 | 175 | 140 |
| | 40 | 260 | 45 | 195 | 170 |
| | 50 | 300 | 65 | 241 | 195 |
| | 65 | 340 | 65 | 269 | 220 |
| | 80 | 380 | 80 | 294 | 250 |

| PN | DN | BL | D1 | AL1 | AL2 |
|-----|-----|-----|-----|-----|-----|
| 250 | 15 | 210 | 20 | 175 | 130 |
| | 25 | 230 | 48 | 196 | 150 |
| | 40 | 290 | 48 | 221 | 185 |
| | 50 | 300 | 65 | 255 | 200 |
| | 65 | 340 | 65 | 279 | 230 |
| | 80 | 380 | 80 | 334 | 225 |
| | 320 | 15 | 210 | 20 | 165 |
| 25 | | 230 | 20 | 186 | 160 |
| 40 | | 260 | 20 | 201 | 195 |
| 50 | | 300 | 30 | 230 | 210 |
| 65 | | 340 | 30 | 254 | 225 |
| 80 | | 380 | 48 | 289 | 275 |
| 400 | 15 | 240 | 20 | 195 | 145 |
| | 25 | 280 | 20 | 210 | 180 |
| | 40 | 320 | 20 | 220 | 220 |
| | 50 | 370 | 30 | 240 | 235 |

SPECIAL SIZES:

In addition to the standard sizes of Type 520 listed in this table, other nominal sizes in the specified pressure ratings may also be possible.

PRODUCTCODE:

| Group | TYPE | DN | PN | Body* | Glass | Gasket | Variant |
|-------|------|--|--|---|--|---------------------------|--------------------------------|
| 11 | 520 | 1: 15 2: 20 3: 25 4: 40 5: 50 6: 65 7: 80 8: 100 9: 125 10: 150 11: 200 12: Special | 1: 40 2: 63 3: 100 4: 160 5: 250 6: 320 7: 400 8: Special | 1: 1.4571 2: 1.4541 3: 1.4404 4: 1.4539 8: Special | 1: Borosilicate glass (Boro) DIN 7080 3: Quartz glass 4: Boro + Mica 5: META® glass 8: Sapphire glass | 7: Graphite 8: Special | Assigned by ACI if required |

INFO: Unless otherwise stated, the factory standard highlighted is supplied.

* Cover flanges made of body material or according to quotation / order confirmation

SPECIAL DESIGNS/OPTIONS:

- a) Double glazing
- b) Mica protection
- c) FEP protective screen
- d) LED or halogen lights, ATEX-certified, EX
- e) Additional options on request

EXAMPLE:

11-520-10-4-1-1-7-00 equals the product code:

ACI Type 520
DN150
PN160
body 1.4571
borosilicate glass
gasket graphite
standard version

ATTENTION!

The pressure-temperature limits according to DIN EN 1092-1 apply!

Our tool of the same name is available on our website for this purpose.

(www.ACI24.com, in the category Service, Tools)



RECOMMENDATION:

For aggressive media or steam, mica discs should be used to protect the glass.