



APPLICATION:

For observation of filling and flow in pipelines. This sight glass allows reliable monitoring of the function and performance of individual equipment as well as entire installations.

Type 521 Flow sight glasses feature direct welding into pipelines.

INSTALLATION NOTE:

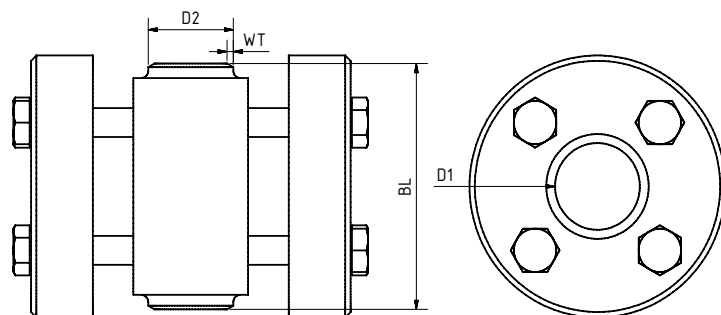
After the base body has been welded in, check whether the sealing surfaces have warped! If necessary, rework must be performed! For the welding process it is advisable to weld in the sight glass in the disassembled state or use low heat exposure. In case of non-compliance, the glasses can be damaged. Note the torques required for assembly!

**With welding ends
($\Delta P \leq 400$ bar)**

Operating conditions:

Temperature: (depending on glass and gasket)	280 °C 300 °C
Pressure:	≤ 40 to 400^1 Bar

¹ higher ip possible on request



Materials:

Body:	1.4571; 1.4539; 1.4404
Glass:	Borosilicate glass DIN 7080 Quartz glass Mica META® glass Sapphire glass
Gasket:	Graphite
Screws:	A4-70
Special materials on request	

DN	15	20	25	40	50	65	80	100	125	150	200
Overall length (BL) ²	on request or special dimensions										
Wall thickness (WT)	matching the DN of the pipeline										
Vista (D1)	depending on pressure rating										
Special dimensions and other standards on request											

PRODUCTCODE:

Group	TYPE	DN of pipeline	PN	Body*	Glass	Gasket	Variant
11	521	1: 15 2: 20 3: 25 4: 40 5: 50 6: 65 7: 80 8: 100 9: 125 10: 150 11: 200 12: Special	1: 40 2: 63 3: 100 4: 160 5: 250 6: 320 7: 400 8: Special	1: 1.4571 2: 1.4541 3: 1.4404 4: 1.4539 8: Special	1: Borosilicate glass (Boro) DIN 7080 3: Quartz glass 4: Boro + Mica 5: META® glass 8: Sapphire glass	7: Graphite 8: Special	Assigned by ACI if required

INFO: Unless otherwise stated, the factory standard highlighted is supplied.

* Cover flanges made of body material or according to quotation / order confirmation

SPECIAL DESIGNS/OPTIONS:

- a) Double glazing
- b) Mica protection
- c) FEP protective screen
- d) LED or halogen lights, ATEX-certified, EX
- e) Additional options on request

EXAMPLE:

11-521-10-4-1-1-7-00 equals the product code:

ACI Type 521
Pipe DN150
PN160
body 1.4571
borosilicate glass
gasket graphite
standard version

RECOMMENDATION:

For aggressive media or steam, mica discs should be used to protect the glass.