



APPLICATION:

For observation of filling and flow in pipelines. This sight glass allows reliable monitoring of the function and performance of individual equipment as well as entire installations.

With standard sight glasses, pipelines that must be completely emptied have a residual liquid in the sight glass area. **With this sight glass fitting, virtually almost no residual liquid remains when installed horizontally!**

INSTALLATION NOTE:

Gaskets suitable for the sealing surfaces should be used. The screw material should be equivalent to or higher than those of the sight glass body. Always use screws that match the hole pattern. If possible, the screw thread and the screw head should be lubricated.

With flange connections according to DIN 1092-1 ($\Delta P \leq 10 / 16 / 25 / 40 / 63$ bar)

Operating conditions:

Temperature: (depending on glass and gasket)	150 °C 280 °C	
Pressure:	≤ 10 to 63^1	Bar

¹ above see Type 520

Materials:

Body:	1.4571; 1.4539; 1.4404
Glass:	Borosilicate glass DIN 7080 Soda lime glass DIN 8902 Quartz glass Mica META® glass
Gasket:	PTFE; FKM; NBR; C4400; Silicone; EPDM; Graphite
Screws:	A4-70

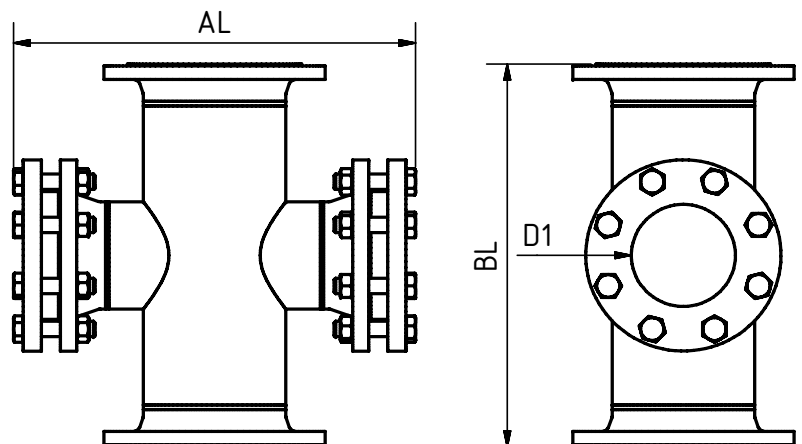
Special materials on request



PN	DN	BL ²	D1	AL ²
10	15	130	13	255
	25	160	22	284
	40	200	35	261
	50	230	45	262
	80	310	55	337
	100	350	84	372
	125	400	107	422
	150	480	132	462
	200	600	160	570
	250	730	160	641
	300	850	160	693
	350	980	160	741
	400	1100	160	792
16	15	130	13	255
	25	160	22	285
	40	200	35	260
	50	230	45	260
	80	310	55	340
	100	350	84	380
	125	400	107	420
	150	480	132	470
	200	600	160	580
	250	730	160	650
	300	850	160	700
	350	980	160	750
	400	1100	160	800
25	15	130	13	255
	25	160	22	284
	40	200	35	261
	50	230	45	272
	80	310	55	347
	100	350	84	392
	125	400	107	432
	150	480	132	482
	200	600	160	610
	250	730	160	681
	300	850	160	733
	350	980	160	781
	400	1100	160	832

PN	DN	BL ²	D1	AL ²
40	15	130	13	255
	25	160	22	284
	40	200	35	271
	50	230	45	272
	80	310	55	357
	100 ³	350	84	402
	125 ³	400	107	452
	150 ³	480	132	502
	200 ³	600	160	610
	250 ³	730	160	681
	300 ³	850	160	733
	350 ³	980	160	781
	400 ³	1100	160	832
63	15	130	13	283
	25	160	22	306
	40	200	35	349
	50	230	45	352
	80	310	55	417
	100 ³	350	84	448
	125 ³	400	107	500
	150 ³	480	132	598
	200 ³	600	160	696
	250 ³	730	160	767
	300 ³	850	160	867
	350 ³	980	160	819
	400 ³	1100	160	918

² other dimensions on request; ³ Deviates from the DIN EN 1092-1 pressure-temperature limits.



PRODUCTCODE:

Group	TYPE	DN	PN	Body*	Glass	Gasket	Variant
11	530	15	0: 10	1: 1.4571	1: Borosilicate glass (Boro)	1: PTFE	Assigned by ACI if required
		25	1: 16	2: 1.4404	DIN 7080	2: FKM	
		40	2: 25	3: 1.4539	2: Soda lime glass (NKG)	3: NBR	
		50	3: 40	4: Special	DIN 8902	4: C4400	
		80	4: 63		3: Quartz glass	5: Silicone	
		100	5: Special		4: Boro + Mica	6: EPDM	
		125			6: META®-Glass	7: Graphite	
		150				8: Special	
		200					
		250					
		300					
		350					
		400					
		Special					

INFO: Unless otherwise stated, the factory standard highlighted is supplied.

* Cover flanges made of body material or according to quotation / order confirmation

SPECIAL DESIGNS/OPTIONS:

- a) Double glazing (Type 530D)
- b) High pressure version (Type 520)
- c) Mica protection
- d) FEP protective screen
- e) LED or halogen lights, ATEX-certified, EX
- f) Additional options on request

EXAMPLE:

11-530-200-1-1-1-7-0 equals the product code:
 ACI Type 530
 DN200
 PN16
 body 1.4571
 borosilicate glass
 gasket graphite
 standard version

ATTENTION!

The pressure-temperature limits according to DIN EN 1092-1 apply!

Our tool of the same name is available on our website for this purpose.
 (www.ACI24.com, in the category Service, Tools)



RECOMMENDATION:

For aggressive media or steam, mica discs should be used to protect the glass.