



### APPLICATION:

For observation of filling and flow in pipelines. This sight glass allows reliable monitoring of the function and performance of individual equipment as well as entire installations.

With standard sight glasses, pipelines that must be completely emptied have a residual liquid in the sight glass area. **With this sight glass fitting, virtually almost no residual liquid remains when installed horizontally!**

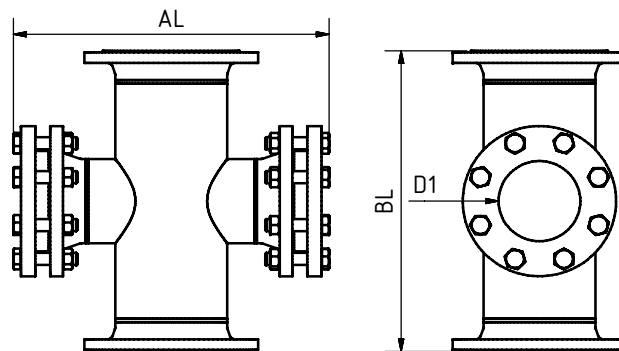
### INSTALLATION NOTE:

Gaskets suitable for the sealing surfaces should be used. The screw material should be equivalent to or higher than those of the sight glass body. Always use screws that match the hole pattern. If possible, the screw thread and the screw head should be lubricated.

**With flange connections according to ASME 16.5 B CLASS 150 bis 300 ( $\Delta P \leq 20 / 50 / 64$  bar)**

### Operating conditions:

Temperature: (depending on glass and gasket)	150 °C 280 °C 300 °C	
Pressure:	$\leq 20$ to $50^1$	Bar
CLASS:	150 to $300^1$	
<sup>1</sup> higher see Type 520A		



Materials:	
Body:	1.4571; 1.4539; 1.4404
Glass:	Borosilicate glass DIN 7080 Soda lime glass DIN 8902 Quartz glass Mica META® glass
Gasket:	PTFE; FKM; NBR; C4400; Silicone; EPDM; Graphite
Screws:	A4-70
Special materials on request	

NPS	1"	1 1/2"	2"	3"	4"	5"	6"	8"	10"	12"
BL	200	230	310	350	400	480	600	730	850	980
D1	35	45	55	84	107	132	160	160	160	160
AL <sup>2</sup>	232	258	336	380	420	464	558	706	821	955
<sup>2</sup> other dimensions on request Dimensions acc. to CLASS 150, other pressure ratings may vary										
Special dimensions and other standards on request										

## PRODUCTCODE:

Group	TYPE	DN	PN	Body*	Glass	Gasket	Variant
11	530A	1: 1" 2: 1 1/2" 3: 2" 4: 3" 5: 4" 6: 5" 7: 6" 8: 8" 9: 10" 10: 12" 11: Special	1: 150 2: 300 3: Special	1: 1.4571 2: 1.4404 3: 1.4539 4: Special	1: Borosilicate glass (Boro) DIN 7080 2: Soda lime glass (NKG) DIN 8902 3: Quartz glass 4: Boro + Mica 6: META®-Glas	1: PTFE 2: FKM 3: NBR 4: C4400 5: Silicone 6: EPDM 7: Graphite 8: Special	Assigned by ACI if required

**INFO:** Unless otherwise stated, the factory standard highlighted is supplied.

\* Cover flanges made of body material or according to quotation / order confirmation

### SPECIAL DESIGNS/OPTIONS:

- a) Double glazing
- b) High pressure version (Type 520A)
- c) Mica protection
- d) FEP protective screen
- e) LED or halogen lights, ATEX-certified, EX
- f) Additional options on request

### EXAMPLE:

**11-530A-7-1-1-1-7-0 equals the product code:**

ACI Type 530  
NPS 7"  
CLASS 150  
body 1.4571  
borosilicate glass  
gasket graphite  
standard version

### ATTENTION!

The pressure-temperature limits according to ASME 16.5 B apply!

Our tool of the same name is available on our website for this purpose.

([www.ACI24.com](http://www.ACI24.com), in the category Service, Tools)



### RECOMMENDATION:

For aggressive media or steam, mica discs should be used to protect the glass.