



APPLICATION:

For observation of filling and flow in pipelines. This sight glass allows reliable monitoring of the function and performance of individual equipment as well as entire installations.

Type 551 Flow sight glasses can be installed directly in pipelines. **BSP** and **NPT** threads are available for selection. The sight glasses are supplied pre-assembled and ready for installation.

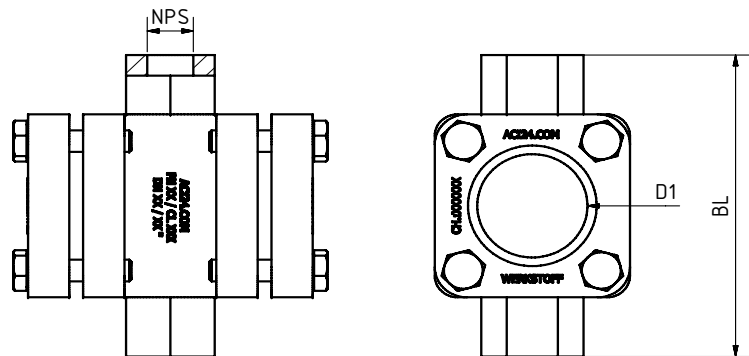
INSTALLATION NOTE:

In order to achieve the specified pressure rating, the threaded connection must be sealed with suitable material. Threads are not self-sealing!

With female thread
BSP or NPT¹
**($\Delta P \leq 10 / 16 / 25 / 40$
bar)**

Operating conditions:

Temperature: (depending on glass and gasket)	150 °C 280 °C
Pressure:	$\leq 10 / 16 / 25 / 40$ Bar



Materials:

Body:	GG25; GS-C 25; 1.4408
Glass:	Borosilicate glass DIN 7080 Soda lime glass DIN 8902
Gasket:	PTFE; FKM; NBR; C4400; Silicone; EPDM; Graphite
Screws:	A4-70
Special materials on request	

NPS	1/4"	3/8"	1/2"	3/4"	1"	1 1/4"	1 1/2"	2"
BL	100	100	100	120	120	160	160	230
D1	32	32	32	48	48	65	65	80

¹ NPT thread available only in GS-C 25 and 1.4408

With threaded connections and similar to DIN 3237

VARIANTS:

ROTOR PLASTIC (120°C) OR PTFE (260°C):

A liquid flow is indicated through rotation of the rotor. As a result, flow control is much easier and quicker to detect.



FLAP MADE OF 1.4571:

A liquid flow is indicated by opening and moving the flap. In this way it is easier and quicker to check the flow rate.



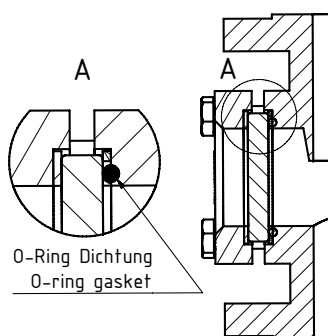
VACUUM VERSION WITH O-RING:

In the case of vacuum, there is a risk whereby the gasket can be pulled inwards and the external medium can enter the valve. For medium vacuum, a PTFE seal should be used, for higher vacuum, an O-ring seal made of Viton is required.



DOUBLE GLAZING:

Double glazing ensures additional safety in the case of damage to the inner glass. The additional glass prevents distribution of medium and possible glass splinters in case of damage or even destruction of the inner glass.



All pictures are exemplary for Type 550S and symbolize only the variant version.

Technical changes and errors reserved!

PRODUCTCODE:

Group	TYPE	Gewinde	NPS	PN	Body*	Glass	Gasket	Variant
11	551	G: BSP N: NPT	1: 1/4" 2: 3/8" 3: 1/2" 4: 3/4" 5: 1" 6: 1 1/4" 7: 1 1/2" 8: 2" 9: Special	0: 10 1: 16 2: 25 3: 40	1: GG25 2: GS-C25 3: 1.4408 8: Special	1: Borosilicate glass (Boro) DIN 7080 2: Soda lime glass (NKG) DIN 8902 3: Quartz-glas 4: META®-Glas 8: Special	1: PTFE 2: FKM 3: NBR 4: C4400 5: Silicone 6: EPDM 7: Gra-phite 8: Special	0: Standard variant 1: Rotor PTFE (260°C) 2: Rotor plastic (120°C) 3: Flap 1.4571 4: Vacuum version 5: Double glazing G: Mica Assigned by ACI if required

INFO: Unless otherwise stated, the factory standard highlighted is supplied.

* Cover flanges made of body material or according to quotation / order confirmation

SPECIAL DESIGNS/OPTIONS:

- a) Rotor made of PTFE or plastic
- b) Flap made of 1.4571
- c) Vacuum version with O-ring
- d) double glazing
- e) LED or halogen lights, ATEX-certified, EX certified
- f) Other options on request

EXAMPLE:

11-551-G5-1-3-1-7-1 equals the product code:

ACI Type 551
NPS G 1"
PN16
body 1.4408
borosilicate glass
gasket graphite
with PTFE rotor

RECOMMENDATION:

For aggressive media or steam, mica discs should be used to protect the glass.