



APPLICATION:

For observation of filling and flow in pipelines. This sight glass allows reliable monitoring of the function and performance of individual equipment as well as entire installations.

Type 571 flow sight glasses are suitable for direct welding into pipelines. The sight glasses are supplied pre-assembled and ready for installation.

INSTALLATION NOTE:

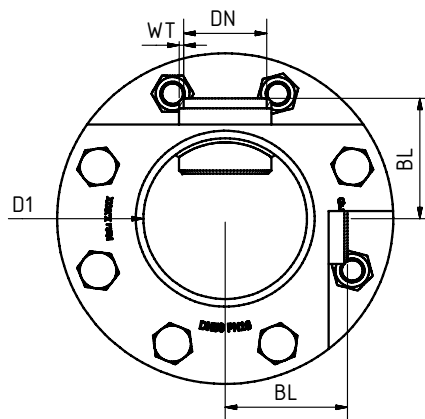
After the base body has been welded in, check whether the sealing surfaces have warped! If necessary, rework must be performed! For the welding process it is advisable to weld in the sight glass in the disassembled state or use low heat exposure. In case of non-compliance, the glasses can be damaged. Note the torques required for assembly!

Angle form with welding ends
($\Delta P \leq 10 / 16 / 20 / 40$ bar)

Operating conditions:

| | |
|---|--------------------------------|
| Temperature: (depending on glass and gasket) | 150°C 280 °C |
| Pressure: | $\leq 10 / 16 / 20 / 40^1$ Bar |

¹ above see Type 576



| Materials: | |
|------------------------------|---|
| Body: | 1.4571; 1.4539; 1.4404 |
| Glass: | Borosilicate glass DIN 7080 Soda lime glass DIN 8902 |
| Gasket: | PTFE; FKM; NBR; C4400; Silicone; EPDM; Graphite |
| Screws: | A4-70 |
| Special materials on request | |

| DN | 15 | 20 | 25 | 40 | 50 | 65 | 80 | 100 |
|---|------------------------------------|----|----|----|-----|-----|-----|-----|
| overall length (BL) | on request or special dimensions | | | | | | | |
| wall thickness (WT) | suitable for DN and pressure stage | | | | | | | |
| vista (D1) | 43 | 43 | 70 | 83 | 107 | 107 | 132 | 160 |
| Dimensions acc. to PN 16, other pressure ratings may vary | | | | | | | | |
| Special dimensions and other standards on request | | | | | | | | |

PRODUCTCODE:

| Group | TYPE | DN | PN | Body* | Glass | Gasket | Variant |
|-------|------|---|--|---|--|---|--------------------------------|
| 11 | 571 | 1: 15 2: 20 3: 25 4: 40 5: 50 6: 65 7: 80 8: 100 9: Special | 1: 10 2: 16 3: 25 4: 40 5: Special | 1: 1.4571 2: 1.4541 3: 1.4404 4: 1.4539 8: Special | 1: Borosilicate glass (Boro) DIN 7080 2: Soda lime glass (NKG) DIN 8902 3: Quarzglas 4: Boro + Mica | 1: PTFE 2: FKM 3: NBR 4: C4400 5: Silicone 6: EPDM 7: Graphite 8: Special | Assigned by ACI if required |

INFO: Unless otherwise stated, the factory standard highlighted is supplied.

* Cover flanges made of body material or according to quotation / order confirmation

SPECIAL DESIGNS/OPTIONS:

- a) High pressure version (Type 576)
- b) LED or halogen lights, ATEX-certified, Ex
- (c) FEP protective screen
- d) Mica protection
- e) Additional options on request

EXAMPLE:

11-571-5-2-1-1-7-000 equals the product code:
 ACI Type 571
 DN50
 PN16
 body 1.4571
 borosilicate glass
 gasket graphite
 standard version

RECOMMENDATION:

For aggressive media or steam, mica discs should be used to protect the glass.