

APPLICATION:

For observation of filling and flow in pipelines. This sight glass allows reliable monitoring of the function and performance of individual equipment as well as entire installations.

Type 576 Angle flow sight glasses are suitable for direct welding into the pipeline. The sight glasses are supplied pre-assembled and ready for installation.

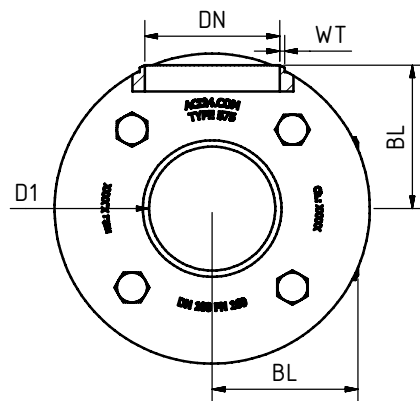
INSTALLATION NOTE:

After the base body has been welded in, check whether the sealing surfaces have warped! If necessary, rework must be performed! For the welding process it is advisable to weld in the sight glass in the disassembled state or use low heat exposure. In case of non-compliance, the glasses can be damaged. Note the torques required for assembly!

Angle form with
welding ends
($\Delta P \leq 400$ bar)

Operating conditions:

Temperature: (depending on glass and gasket)	280 °C	
Pressure:	$\leq 400^1$	Bar
¹ higher if possible on request		



Materials:

Body:	1.4571; 1.4539; 1.4404
Glass:	Borosilicate glass DIN 7080 quartz glass mica META® glass sapphire glass
Gasket:	Graphite
Screws:	A4-70
Special materials on request	

DN	15	20	25	40	50	65	80	100	125	150	200
overall length (BL)	on request or special dimensions										
wall thickness (WT)	matching DN of the pipeline										
vista (D1)	on request or special dimensions										
Special dimensions and other standards on request											

PRODUCTCODE:

Group	TYPE	DN	PN	Body*	Glass	Gasket	Variant
11	576	1: 15 2: 20 3: 25 4: 40 5: 50 6: 65 7: 80 8: 100 9: 125 10: 150 11: 200 12: Special	1: 40 2: 63 3: 100 4: 160 5: 250 6: 320 7: 400 8: Special	1: 1.4571 2: 1.4541 3: 1.4404 4: 1.4539 8: Special	1: Borosilicate glass (Boro) DIN 7080 3: Quartz glass 4: Boro + Mica 5: META® glass 8: Sapphire	7: Graphite 8: Special	Assigned by ACI if required

INFO: Unless otherwise stated, the factory standard highlighted is supplied.

* Cover flanges made of body material or according to quotation / order confirmation

SPECIAL DESIGNS/OPTIONS:

- a) double glazing
- b) Light version PN 10 to 40 (Type 571)
- b) Mica protection
- c) FEP protective screen
- d) LED or halogen lights, ATEX-certified, EX
- e) Additional options on request

EXAMPLE:

11-576-10-4-1-1-7-00 equals the product code
 ACI Type 576
 DN150
 PN160
 body 1.4571
 borosilicate glass
 gasket graphite
 standard version

RECOMMENDATION:

For aggressive media or steam, mica discs should be used to protect the glass.