

#### APPLICATION:

For observation of filling and flow in pipelines. This sight glass allows reliable monitoring of the function and performance of individual equipment as well as entire installations.

Type 595 flow sight glasses are suitable for mounting on flanges according to DIN EN 1092-1. The sight glasses are supplied pre-assembled and ready for installation.

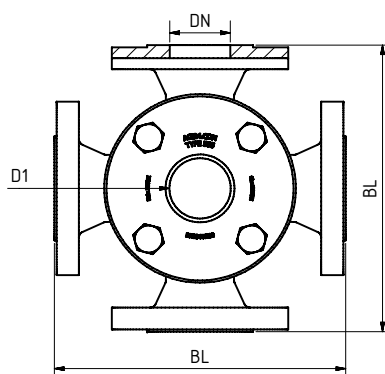
#### INSTALLATION NOTE:

Gaskets suitable for the sealing surfaces should be used. The screw material should be equivalent to or higher than those of the sight glass body. Always use screws that match the hole pattern. If possible, the screw thread and the screw head should be lubricated.

**Four-way sight glass with flange connections acc. to DIN 1092-1 ( $\Delta P \leq 400$  bar)**

#### Operating conditions:

Temperature: (depending on glass and gasket)	280 °C	
Pressure:	$\leq 16$ bis $400^1$	Bar
<sup>1</sup> higher if possible on request		



Materials:	
Body:	1.4571; 1.4539; 1.4404
Glass:	Borosilicate glass DIN 7080 Soda lime glass DIN 8902 Quartz glass Mica META® glass
Gasket:	PTFE; FKM; NBR; C4400; Silicone; EPDM; Graphite
Screws:	A4-70
Special materials on request	

DN	15	20	25	40	50	65	80	100	125	150	200
overall length (BL) <sup>2</sup>	DIN EN 558-1 FTF 2 (DIN 3202 F2)										
flange dimensions	DIN EN 1092-1										
vista (D1) <sup>3</sup>	48	65	65	80	100	150	175	175	175	175	240
<sup>2</sup> if possible <sup>3</sup> Dimensions acc. to PN 16, other pressure ratings may vary											
Special dimensions and other standards on request											

## PRODUCTCODE:

Group	TYPE	DN	PN	Body*	Glass	Gasket	Variant
11	595	1: 15	1: 16	<b>1: 1.4571</b>	<b>1: Borosilicate glass (Boro) DIN 7080</b>	1: PTFE	Assigned by ACI if required
		2: 20	2: 40	2: 1.4541	3: Quarzglas	2: FKM	
		3: 25	3: 63	3: 1.4404	4: Boro + Glimmer	3: NBR	
		4: 40	4: 100	4: 1.4539	6: META®-Glas	4: C4400	
		5: 50	5: 160	8: Special	8: Saphir glass	5: Silicone	
		6: 65	6: 250			6: EPDM	
		7: 80	7: 320			<b>7: Graphite</b>	
		8: 100	8: 400			8: Special	
		9: 125	9: Special				
		10: 150					
		11: 200					
		12: Special					

**INFO:** Unless otherwise stated, the factory standard highlighted is supplied.

\* Cover flanges made of body material or according to quotation / order confirmation

### SPECIAL DESIGNS/OPTIONS:

- a) Weld end variant
- b) Mica protection
- (c) FEP protective screen
- d) LED or halogen lights, ATEX-certified, EX
- e) Additional options on request

### EXAMPLE:

**11-595-10-2-1-1-7-00 equals the product code:**

ACI Type 595  
DN150  
PN40  
body 1.4571  
borosilicate glass  
gasket graphite  
standard version

### ATTENTION!

The pressure-temperature limits according to DIN EN 1092-1 apply!

Our tool of the same name is available on our website for this purpose.

([www.ACI24.com](http://www.ACI24.com), in the category Service, Tools)



### RECOMMENDATION:

For aggressive media or steam, mica discs should be used to protect the glass.