



Level Indicator

Glass Tube indicator

With threaded or flanged connection

Type 460

Application:

For liquid level indication on tanks, boilers and silos. Version for up to 25 bar operating pressure with threaded or flange connection and additional one-sided outlet for complete emptying. Optional impact protection available with or without scale.

Operating pressure:
Up to 25 bar

Operating conditions:

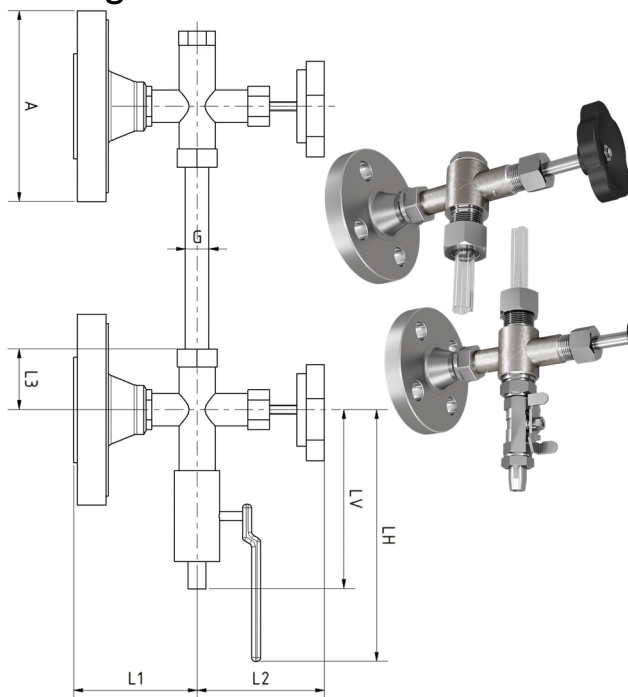
Temperature:	200	°C
Pressure:	25 ¹	Bar

¹ depending on design see table below

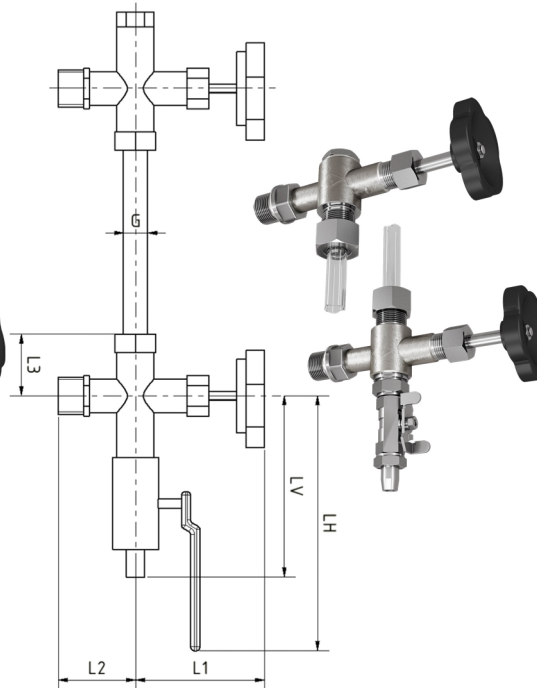
Materials:

Frame:	1.4571
Glass:	Borosilicate-Glass
Gasket:	PTFE
impact protection: (optional)	Made of Plexiglas tube with and without display scale

Flange connection:



Threaded connection:



	L1	L2	L3	G	LV	LH	PS max (bar)
G 1/2"	47	16	44	13	94	119	25
G 3/4"	79	16	46,5	16	97	122	25
G 1"	80	20	57	20	on request		20
DN15	85,5	98	47	13	94	119	25
DN20	108	98	52	20	97	122	20

Installation instructions:

When installing, make sure that the sockets are exactly aligned in order to avoid stresses in the glass tube!

Technical changes and errors reserved!

ACI Industriearmaturen GmbH
www.aci24.com • info@aci24.com
Version 2019-06-25



Level Indicator

Glass Tube indicator

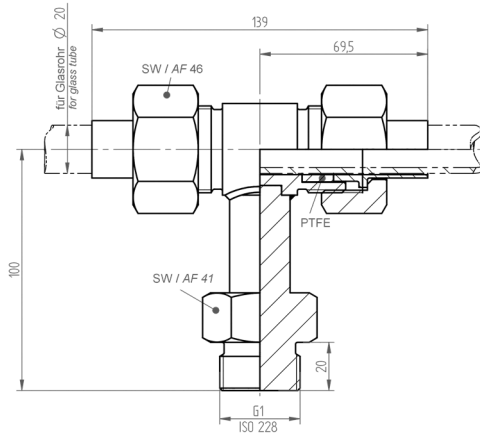
With threaded or flanged connection

Type 460

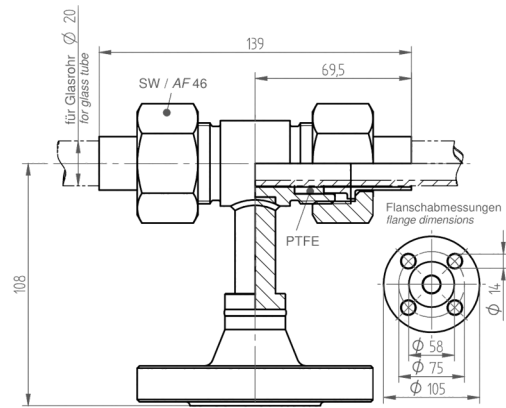
Notice:
For lengths greater than 1500mm, additional intermediate brackets are required! In such cases we draw your attention to the necessity.

Dimensions glass tube intermediate holder and mounting option

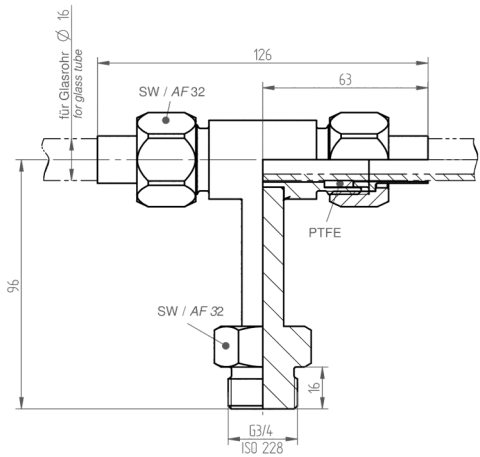
G 1" and DN20



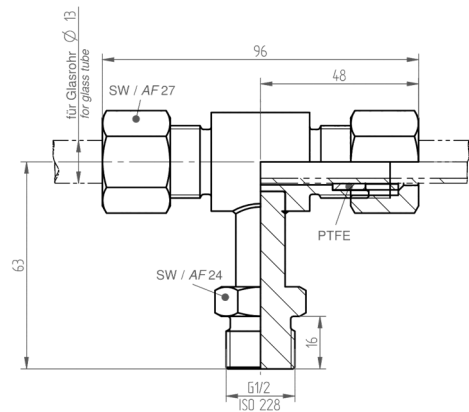
G 1" and DN20



G 3/4



G 1/2" and DN15





Level Indicator

Glass Tube indicator

With threaded or flanged connection

Type 460

Produktcode:

		Connection	Nominal-width	centre-to-centre distance	Impact protection/ Indicator scale
11	460	1: Thread 2: Flange	1: G 1/2" / DN15 2: G 3/4" / DN20 3: G 1"	On Request	1: with impact protection 2: without impact protection 3: with impact protection and display scale

Example: **ACI Typ 460**
Flange
DN20
1000 mm long
with impact protection

11-460-2-2-1000-1

Recommendation:
Impact protection should be used to minimize bending stresses!