



Level Indicator

Glass Tube indicator

With threaded connection, brass body

Type 461

Application:

For visual observation of fluid levels in vessels, boilers and silos.

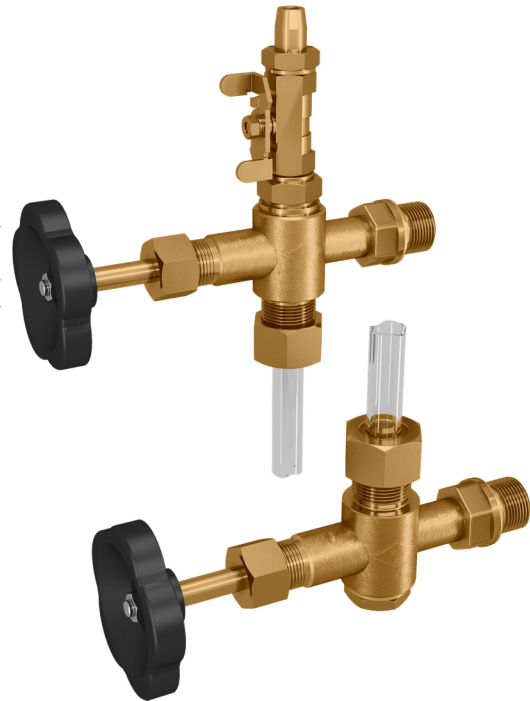
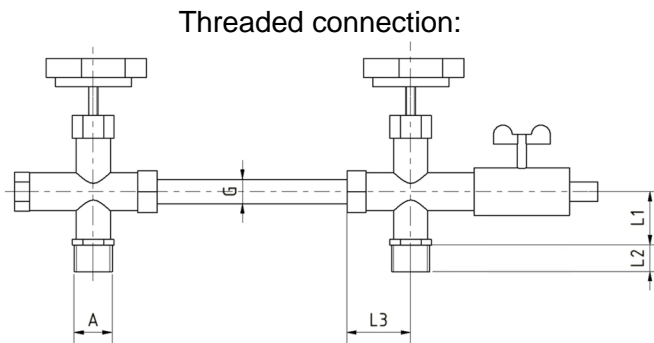
Operating pressure:
Up to 10 bar

Operating conditions:

Temperature:	200	°C
Pressure:	10	Bar

Materials:

Fixture:	Brass
Glass:	Borosilicate glass
Seal:	PTFE



A	L1	L2	L3	G
G ½"	47	16	44	13
G ¾"	79	16	46,5	16
G 1"	80	20	57	20

Installation guideline:

During installation, special care must be taken that both fixtures are exactly lined up to avoid tensile stress in the glass!



Level Indicator

Glass Tube indicator

With threaded connection, brass body

Type 461

Product Code:

		Connection	Nominal size	Installation length	Protection rods
11	461	1: Threaded 2: Flanged	1: G ½" 2: G ¾" 3: G 1"	As required	1: yes 2: no

Example: **ACI Type 461**
1000 mm
Flanged connection DN20
With protection rods

11-461-2-2-1000-1

Recommendation:

We recommend the use of protection rods to minimize tensile stress in the glass tube.