

#### APPLICATION:

Observation and illumination of the interior of closed vessels (boilers, tanks, silos, etc.). Sightglasses are round flange sockets for welding into or onto the vessel, each complete with a firmly screwed sightglass plate inserted between the gaskets.

#### INSTALLATION NOTE:

After welding the base flange onto/into the pressure vessel, the sealing surface must be checked for deformations! Reworking may be required! Observe the listed torque values for remounting the cover flange! The pressure rating does not consider the base flange. This will have to be audited together with the pressure vessel according to AD 2000 instructions B9 or equivalent standard!

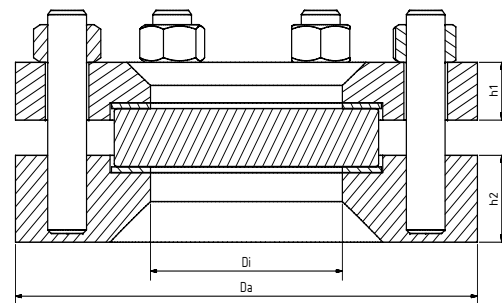
Similar to DIN 28120  
Lightweight design  
( $\Delta P \leq 6$  bar)

#### Operating conditions:

Temperature: (depending on glass and gasket)	150 °C 280 °C 400 °C <sup>1</sup>
Pressure:	≤6 Bar

#### Materials:

Flange:	1.4571; 1.4541; 1.4404; 1.4306; 1.4435; 1.4539; 1.4462; P265GH
Glass:	Borosilicate glass DIN 7080 Soda-lime glass DIN 8902 Borosilicate glass untempered
Gasket:	PTFE; FKM; NBR; C4400; Silicone; EPDM; Graphite
Screws:	A4-70
Special materials on request	



DN	25	40	50	80	100	125	150	200
Da	115	150	165	200	220	250	285	340
Di	48	65	80	100	125	150	175	225
h1	16	16	16	20	22	25	30	35
h2	25	30	30	30	30	30	36	36
kg	2,9	3,9	5,9	9,3	10,5	14,0	20,9	29,6
Nm	35 <sup>2</sup>	40 <sup>2</sup>	55 <sup>2</sup>	55 <sup>2</sup>	55 <sup>2</sup>	55 <sup>2</sup>	107 <sup>2</sup>	107 <sup>2</sup>

<sup>1</sup> high temperature on request <sup>2</sup> graphite gasket

## PRODUCTCODE:

Group	TYPE	DN	Base flange*	Glass	Gasket	Variant
11	319	25	2: 1.4571	1: Borosilicate glass (Boro) DIN 7080	1: PTFE	G00: Boro with Mica shield (bis 320°C)  Assigned by ACI if required
		40	3: 1.4541	2: Soda lime glass (SLG) DIN 8902	2: FKM	
		50	4: 1.4404	3: Quartz glass	3: NBR	
		80	5: 1.4435	4: Boro + PTFE wiper	4: C4400	
		100	6: 1.4306	5: Boro + silicone wiper	5: Silicone	
		125	7: 1.4539	6: SLG + PTFE wiper	6: EPDM	
		150	8: 1.4462	7: SLG + silicone wiper	7: Graphite	
		200	9: P265GH	8: Borosilicate glass untempered	8: Special	
			10: Special (z.B. Hastelloy)			

**INFO:** Unless otherwise stated, the factory standard highlighted is supplied.

\*Cover flange according to quotation / order confirmation.

## SPECIAL DESIGNS/OPTIONS:

- a) Wiper SWI with PTFE or silicone Wiper blade
- b) Spray device SVI
- c) LED or halogen lights, ATEX-certified, EX
- d) High-temperature version with quartz glass or Boro untempered up to 400°C, higher on request
- e) O-ring seal (suitable for vacuum)<sup>3</sup>
- f) FEP protective screen

<sup>3</sup> depending on environmental variables

## EXAMPLE:

**11-319-100-2-1-7-000 equals the product code:**

ACI Type 319

DN100

Base flange 1.4571

borosilicate glass

gasket graphite

standard version



## RECOMMENDATION:

For aggressive media or steam, mica discs should be used to protect the glass.