



Round sight glass fitting PN 16 up to 160

Welding socket acc. to DIN 1092-1 Type 11

Type 390



APPLICATION:

Sight glass flanges with weld-on sockets are suitable for welding into pipelines, boilers, tanks and equipment of all kinds. Possible applications are wherever visual inspections of filling or flow are required. Equally suitable for liquids and gases, they are particularly recommended for special constructions in various fields of application.

INSTALLATION NOTE:

After welding the base flange onto/into the pressure vessel, the sealing surface must be checked for deformations! Reworking may be required! Observe the listed torque values for remounting the cover flange! The pressure rating does not consider the base flange. This will have to be audited together with the pressure vessel according to AD 2000 instructions B9 or equivalent standard!

With welding socket according to DIN 1091-1 ($\Delta P \leq 16$ to 160 bar)

Operating conditions:

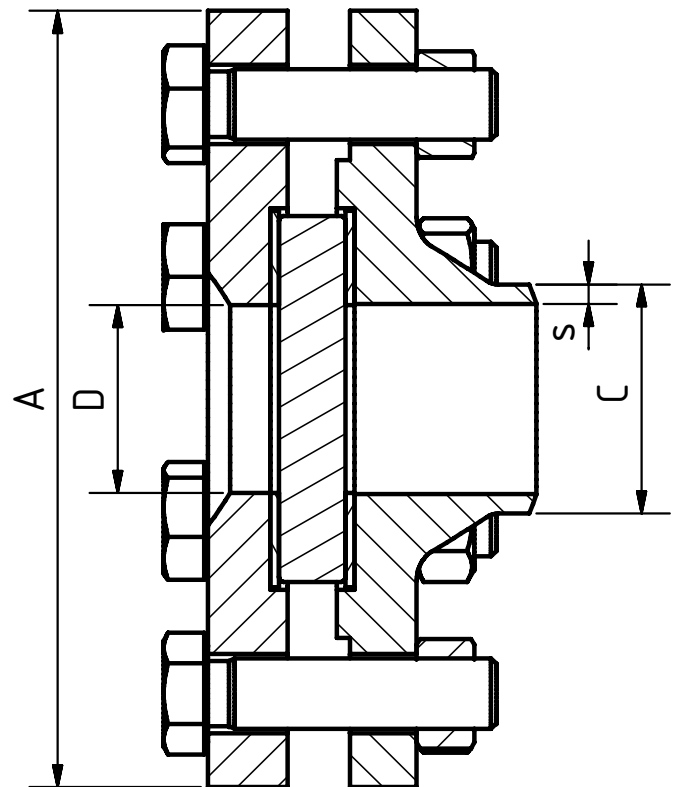
Temperature: (depending on glass and gasket)	280 °C 400 °C
Pressure:	≤ 16 up to 160 Bar

Materials:

Flange:	1.4571; 1.4404; 1.4539; 1.4462; 1.4435; 1.4541; 1.4306; C-Stahl
Glass:	Borosilicate glass DIN 7080 Borosilicate glass untempered Sapphire glass Quartz glass
Gasket:	PTFE; FKM; NBR; C4400; Silicone; EPDM; Graphite
Screws:	A4-70
Special materials and higher temperatures on request	



PN	DN	A	C	s	D
16	25	115	33,7	2,6	29
	40	150	48,3	2,6	43
	50	165	60,3	2,9	55
	80	200	88,9	3,2	83
	100	220	114,3	3,6	107
	125	250	139,7	4	132
	150	285	168,3	4,5	159
	200	340	219,1	6,3	207
	300	460	323,9	7,1	310
40	25	115	33,7	2,6	29
	40	150	48,3	2,6	43
	50	165	60,3	2,9	55
	80	200	88,9	3,2	83
	100	235	114,3	3,6	107
	125	270	139,7	4	132
	150	300	168,3	4,5	159
	200	375	219,1	6,3	207
	63	25	140	33,7	2,6
40		170	48,3	2,9	43
50		180	60,3	2,9	55
80		215	88,9	3,6	83
100		250	114,3	4,0	107
125		295	139,7	4,5	132
150		345	168,3	5,6	159
100	25	140	33,7	2,6	29
	40	170	48,3	2,9	43
	50	195	60,3	3,2	54
	80	230	88,9	4	81
	100	265	114,3	5	104
	125	315	139,7	6,3	127
160	25	140	33,7	2,9	28
	40	170	48,3	3,6	41
	50	195	60,3	4	52
	80	230	88,9	6,3	76





Round sight glass fitting PN 16 up to 160

Welding socket acc. to DIN 1092-1 Type 11

Type 390

PRODUCTCODE:

Group	TYPE	DN	PN	Base flange*	Glass	Gasket	Variant
11	390	25	1: 16	1: C-Steel	1: Borosilicate glass (Boro) DIN 7080	1: PTFE	G: Mica Assigned by ACI if required
		40	2: 40	2: 1.4571	2: Borosilicate glass untempered	2: FKM	
		50	3: 63	3: 1.4404	5: Quartz glass	3: NBR	
		80	4: 100	4: 1.4306	6: Boro DIN 7080 with PTFE wiper	4: C4400	
		100	5: 160	5: 1.4539	7: Boro DIN 7080 with silicone wiper	5: Silicone	
		125		6: 1.4462	10: Sapphire glass	6: EPDM	
		150		7: 1.4435		7: Graphite	
		200		8: 1.4541		8: Special	
		300		9: Special			
		350					

INFO: Unless otherwise stated, the factory standard highlighted is supplied.

*Cover flange according to quotation / order confirmation.

SPECIAL DESIGNS/OPTIONS:

- a) High temperature version with quartz glass or Boro untempered up to 400°C, higher on request
- b) Vacuum version (390V)
- c) Wiper SWI or SWII with PTFE or silicone Wiper blade (max. 6 bar)
- d) LED or halogen lights, ATEX-certified, EX
- (e) FEP protective screen
- f) Other options on request

EXAMPLE:

11-390-100-1-2-1-7-0 equals the product code:

ACI Type 390
DN100
PN16
Base flange 1.4571
borosilicate glass
gasket graphite
standard version

ATTENTION!

The pressure-temperature limits according to DIN EN 1092-1 apply!

Our tool of the same name is available on our website for this purpose.

(www.ACI24.com, in the category Service, Tools)



RECOMMENDATION:

For aggressive media or steam, mica discs should be used to protect the glass.