



Round sight glass fitting PN 40 up to PN 160

Flange mounting similar to DIN 28121

Type 322



APPLICATION:

Observation and illumination of the interior of closed vessels (boilers, tanks, silos, etc.). Type 322 sight glass sockets are suitable for mounting on flanges according to DIN EN 1092-1. A graphite flat gasket serves as a seal. The sight glasses are supplied pre-assembled and ready for installation. Available with [Lloyd's design appraisal](#) in sizes DN40, DN50, DN80, DN100.

INSTALLATION NOTE:

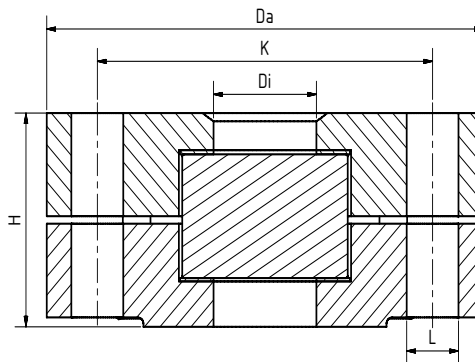
Gaskets suitable for the sealing surfaces should be used. The screw material should be equivalent to or higher than those of the sight glass body. Always use screws that match the hole pattern. If possible, the screw thread and the screw head should be lubricated.

Similar to DIN 28121 with [Lloyd's design appraisal](#) ($\Delta P \leq 160$ bar)



Operating conditions:

| | |
|---|----------------------------------|
| Temperature: (depending on glass and gasket) | 280 °C 320 °C Mica protection |
| Pressure: | ≤ 40 bis 160^2 Bar |
| ² higher pressures on request | |



Materials:

| | |
|------------------------------|-----------------------------|
| Flange: | 1.4571, 1.4539, 2.4605 |
| Glass: | Borosilicate glass DIN 7080 |
| Gasket: | Graphite |
| Screws: | A4-70 |
| Special materials on request | |

| DN | 40 ¹ | 50 ¹ | 80 ¹ | 100 ¹ |
|-----------|----------------------------|-----------------|-----------------|------------------|
| Di | 40 | 50 | 80 | 100 |
| H (PN40) | 82 | 82 | 82 | 102 |
| H (PN63) | 82 | 82 | 82 | 102 |
| H (PN100) | 82 | 102 | 102 | 102 |
| H (PN160) | 92 | 102 | 102 | 122 |
| Da | According to DIN EN 1092-1 | | | |
| L | | | | |
| K | | | | |

IMPORTANT:

The design appraisal by Lloyd's Register does not replace the final approval of the entire system!

¹ with Lloyd's design appraisal

Other sizes on request ³



Round sight glass fitting PN 40 bis PN 160

Flange mounting similar to DIN 28121

Type 322

PRODUCTCODE:

| Group | TYPE | PN | DN | Flange | Glass | Gasket | Variant |
|-------|------|--|--|--|--|---|-----------------------------|
| 11 | 322 | 1: 40 2: 63 3: 100 4: 160 5: higher ³ | 40 50 80 100 larger ³ | 1: 1.4571 2: 1.4541 3: 1.4404 4: 1.4539 5: 2.4605 6: C-Steel 7: special | 1: Borosilicate glass similar (Boro) DIN 7080 2: Boro Mica protection 3: special ³ | 7: Graphite 8: special ³ | Assigned by ACI if required |

INFO: Unless otherwise stated, the factory standard highlighted is supplied.

³ without Lloyd´s design appraisal

SPECIAL DESIGNS/OPTIONS:

- a) Double glazing³
- b) Double glazing with heating element³
- c) LED or halogen lamps, ATEX-certified, EX
- d) Additional options on request

EXAMPLE:

11-322-4-100-1-1-7-0 equals the product code:

ACI Type 322
PN160
DN100
flanges 1.4571
borosilicate glass
gasket graphite
standard version

ATTENTION!

The pressure-temperature limits according to DIN EN 1092-1 apply!

Our tool of the same name is available on our website for this purpose.

(www.ACI24.com, in the category Service, Tools)



RECOMMENDATION:

For aggressive media or steam, mica discs should be used to protect the glass.