



### APPLICATION:

Observation and illumination of the interior of closed vessels (boilers, tanks, silos, etc.). Type 323 sightglasses are suitable for **higher temperatures** than 200°C specified in DIN 28121 due to the use of suitable materials. Just like the Type 321 according to DIN 28121, the sealing method corresponds to the **force shunt**.

### INSTALLATION NOTE:

Gaskets suitable for the sealing surfaces should be used. The screw material should be equivalent to or higher than those of the sight glass body. Always use screws that match the hole pattern. If possible, the screw thread and the screw head should be lubricated.

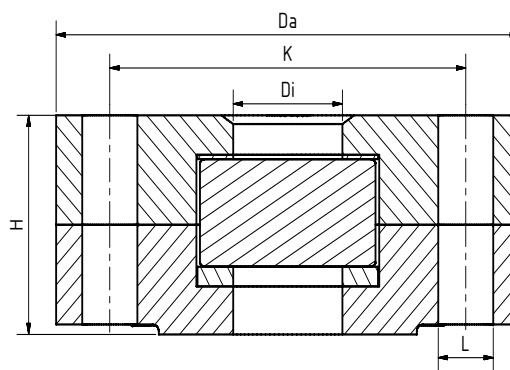
**Similar to DIN 28121**  
**( $\Delta P \leq 10 / 25$  bar)**

### Operating conditions:

|   |                            |
|---|----------------------------|
| Temperature:<br>(depending on glass and gasket) | bis zu 400 °C <sup>1</sup> |
|---|----------------------------|

|           |               |
|-----------|---------------|
| Pressure: | ≤ 10 / 25 Bar |
|-----------|---------------|

<sup>1</sup> higher see Type 326



### Materials:

|         |   |
|---------|---|
| Flange: | 1.4571; 1.4404; 1.4541; 2.4602; 2.4605                        |
| Glass:  | Borosilicate glass DIN 7080<br>Quartz glass<br>Sapphire glass |
| Gasket: | Graphite composite gasket                                     |
| Screws: | A4/80, 1.4980, 1.4845, 1.4828, 1.4821, 1.4762                 |

Special materials on request

| DN                     | 40                         | 50 | 80 | 100 | 125 | 150 | 200 |
|------------------------|----------------------------|----|----|-----|-----|-----|-----|
| Di                     | 48                         | 65 | 80 | 100 | 125 | 125 | 150 |
| H (PN10)               | 36                         | 38 | 46 | 46  | 54  | 54  | 54  |
| H (PN25)               | 38                         | 41 | 50 | 59  | 66  | 66  | 66  |
| Da                     | According to DIN EN 1092-1 |    |    |     |     |     |     |
| L                      |                            |    |    |     |     |     |     |
| K                      |                            |    |    |     |     |     |     |
| Other sizes on request |                            |    |    |     |     |     |     |



# Round sight glass fitting PN 10 / 25

Flange mounting similar to DIN 28121

# Type 323

## PRODUCTCODE:

| Group | TYPE | PN             | DN   | Flange  | Glass  | Gasket                    | Variant                        |
|-------|------|----------------|--|---|--|---------------------------|--------------------------------|
| 11    | 323  | 1: 10<br>2: 25 | 40<br>50<br>80<br>100<br>125<br>150<br>200 | 1: 1.4571<br>2: 1.4541<br>3: 1.4404<br>6: 2.4602<br>7: 2.4605<br>8: Special | 1: Borosilicate glass<br>(Boro) DIN 7080<br>3: Quartz glass<br>8: Borosilicate glass untempered<br>9: Sapphire glass | 7: Graphite<br>8: Special | Assigned by ACI<br>if required |

**INFO:** Unless otherwise stated, the factory standard highlighted is supplied.

## SPECIAL DESIGNS/OPTIONS:

- a) LED or halogen lamps, ATEX-certified, EX
- d) Additional options on request

## EXAMPLE:

**11-323-1-100-1-1-7-0** equals the product code:

ACI Type 323

PN10

DN100

flanges 1.4571

borosilicate glass

Graphite composite gasket

standard version

## ATTENTION!

The pressure-temperature limits according to DIN EN 1092-1 apply!

Our tool of the same name is available on our website for this purpose.

([www.ACI24.com](http://www.ACI24.com), in the category Service, Tools)



## RECOMMENDATION:

For aggressive media or steam, mica discs should be used to protect the glass.