



Sight Glass Wiper

Option

For all circular sight glasses

SWI

Application:

For manual cleaning, when required, of inside glass surface in sightports.

Installation:

Into sight glass disc with 10.5 mm central hole (to DIN 7080/8902 or similar, suits sight glass assemblies to DIN 28120 from nominal size DN 50 to DN 400 as well as screwed sight glass assemblies similar to DIN 11851, DN 50, 65, 80, 100, 125, 150.

Operating Conditions:

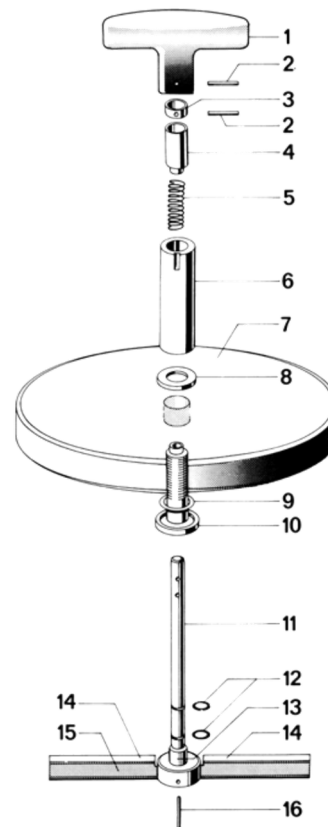
Vacuum tight; pressure tight to at least 2 bar and, depending on glass diameter, to 6 bar. Max. permissible temperature 220°C (depending on glass type).

Certificates:

Certification issued by the state material testing authority of Nordrhein-Westfalen, Dortmund, are available.

Assembly/Materials

- | Pos. | Object |
|------|--|
| 1. | T grip (or ratchet-drive lever at extra cost) - Polycarbonate (bush brass) |
| 2. | locating pins - 1.4310 |
| 3. | spacer collar - locating - brass or PEEK |
| 4. | spacer collar - with spigot - brass or PEEK |
| 5. | compression spring - 1.4310 |
| 6. | bush - threaded female - 1.4401 |
| 7. | glass disc - Sodalime or Borosilicate |
| 8. | gasket - non asbest fibre, BAS 400 green |
| 9. | O-ring seal - Viton |
| 10. | bush - threaded female - 1.4401 or 1.4404 |
| 11. | wiper spindle - 1.4401 or 1.4404 |
| 12. | O-ring seals - Viton |
| 13. | bearing sleeve - PTFE |
| 14. | wiper blade - silicon, PTFE or EPDM |
| 15. | wiper arm - 1.4571 |
| 16. | locating pin - 1.4310 |
- drive lever - 1.4305
 - lever knob - Polycarbonate (bush brass)
 - freewheel unit - steel
 - drive boss - 1.4305
 - dust cap - synthetic resin
 - all product contact parts - stainless steel



Fitting and assembly instructions:

If the wiper is ordered separately, i. e. not installed into sight glass disc by the manufacturer, the assembly has to be done with regard to separate installation and operating instructions, attached to the delivery.

Technical changes and errors reserved!

ACI Industriearmaturen GmbH
www.aci24.com • info@aci24.com
Version 2017-07-15



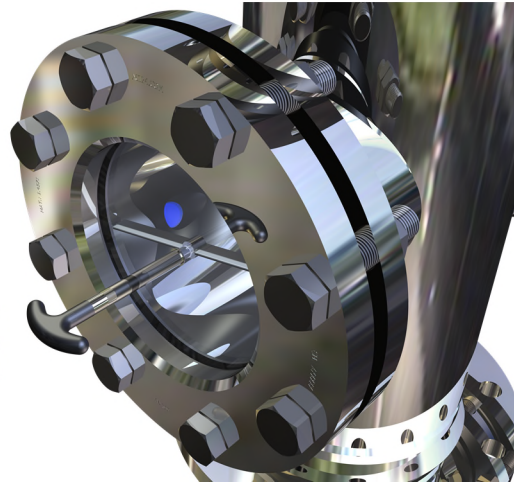
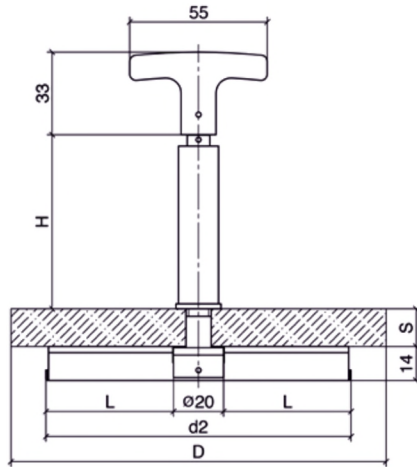
Sight Glass Wiper

Option

For all circular sight glasses

SWI

Dimensions for Sight Glass Wiper SW I



Size		3	4	5*	6*	7*	8*	Special Sizes			
								9	10	11	12
Nominal diameter	DN	50	80	100	125	150	200	250	300	350	400
Viewing diameter	d ₁	80	100	125	150	175	225	On request			
Dimension for h	Mm	70/70	70/70	70/65	70/65	70/65	70/60				
Glass disc	D	100	125	150	175	200	250				
	s	15/15	15/15	15/19	15/19	15/19	15/25				
	PN	6/6	6/6	5/6	4/6	4/4	2/4	Depending on glass			
Wiper blade	d ₂	77	97	122	147	172	222				

Ordering Information

Sight glass wiper SW I

Size 3

Wiper Blade PTFE

If a sight glass disc is needed as well, please specify the following data:

- Borosilicate or soda lime glass
- Sight glass disc size $\varnothing \times s$
- nominal fittings diameter (DN)
- effective operating pressure for this vessel
- for wiper blades sizes 9 and larger, please specify the inside diameter of the fitting

Technical changes and errors reserved!

ACI Industriearmaturen GmbH
 www.aci24.com • info@aci24.com
 Version 2017-07-15