



High Pressure Sight Glass

With Female Thread connection

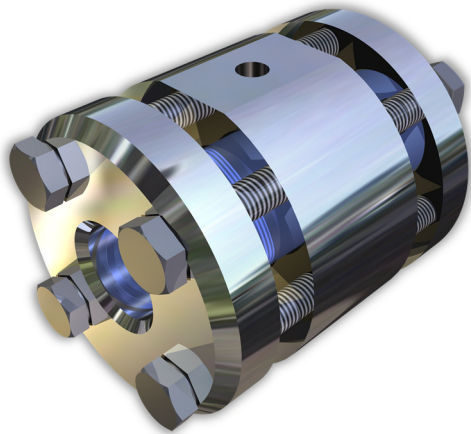
Typ
522

Application:

Flow Sight glasses for high pressure are suitable for installation in piping of several types. The sturdy construction allows the observation of flow or filling processes at high operating pressures of up to 160 bar.

160 bar, max. 280°C

Special constructions up to 1000 bar available on request!



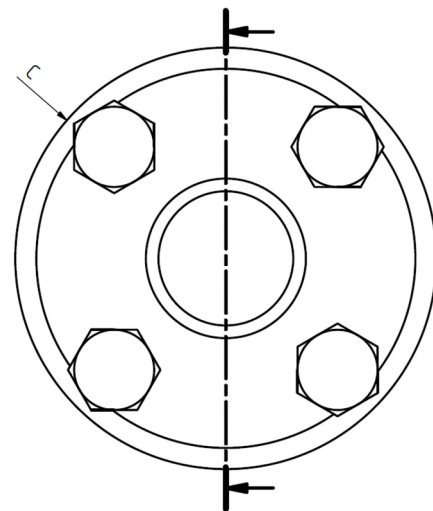
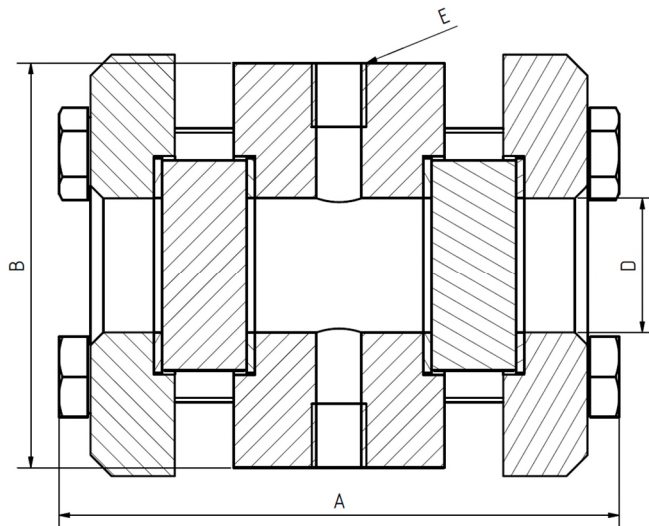
Materials:

Body:	1.4571
Glass:	Borosilicate glass
Seal:	Graphite MST

Other materials available

DN	1/8"	1/4"	1/2"
A	133	133	145,6
B	96	96	96
C	100	100	100
D	32	32	32
E	1/8"	1/4"	1/2"

Other sizes on request



Thread standard as chosen (NPT, G, Other standards on request)

Technical changes and errors reserved!

ACI Industriearmaturen GmbH
 www.aci24.com • info@aci24.com
 Version 2017-07-15



High Pressure Sight Glass

With Female Thread connection

Typ 522

Product Code:

		Thread	DN	Body	Glass	Seal	Variants
11	522	1: G 2: NPT 3: Other	18: 1/8" 14: 1/4" 12: 1/2"	1: 1.4571 2: 1.4404 3: P265GH 4: 1.7335	1: Borosilicate glass 2: Soda lime glass	1: PTFE 2: Viton 3: NBR 4: C4400 5: Silicone 6: EPDM 7: Graphite 8: Special	Assigned by ACI as required

ACI Type 522

NPT

1/4"

Example:

Body 1.4571

11-522-2-14-1-1-7-00

Borosilicate glass

Graphite seal

Standard construction

Caution!

Some material combinations may influence operating conditions!

Please consult us for any order!

Recommendation:

For steam or corrosive media, mica disks should be used!

Technical changes and errors reserved!

ACI Industriearmaturen GmbH
www.aci24.com • info@aci24.com
Version 2017-07-15