



High pressure sight glass CLASS 300 to 1500

Flow sight glass with flange connections

Type 520A



APPLICATION:

For observation of filling and flow in pipelines. This sight glass allows reliable monitoring of the function and performance of individual equipment as well as entire installations.

Type 520A flow sight glasses are suitable for mounting on flanges according to ASME 16.5 B. The sight glasses are supplied pre-assembled and ready for installation.

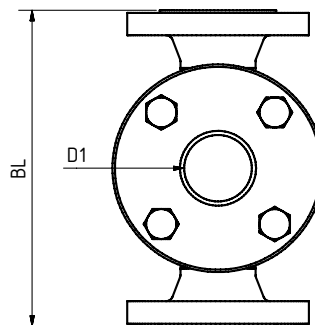
INSTALLATION NOTE:

Gaskets suitable for the sealing surfaces should be used. The screw material should be equivalent to or higher than those of the sight glass body. Always use screws that match the hole pattern. If possible, the screw thread and the screw head should be lubricated.

**With flange connections
acc. to ASME 16.5 B
CLASS 300 to 1500
($\Delta P \leq 400$ bar)**

Operating conditions:

Temperature: (depending on glass and gasket)	150 °C 280 °C 300 °C	
Pressure:	≤ 50 to 400^1	Bar
CLASS:	300 to 1500	
¹ higher if possible on request		



Materials:

Body:	1.4571; 1.4539; 1.4404
Glass:	Borosilicate glass DIN 7080 Quartz glass Mica META® glass Sapphire glass
Gasket:	Graphite
Screws:	A4-70
Special materials on request	

NPS

	1/2"	3/4"	1"	1 1/2"	2"	2 1/2"	3"	4"	5"	6"	8"
Overall length (BL) ²	DIN EN 558-1 FTF 2 (DIN 3202 F2)										
flange dimensions	ASME 16.5 B										
Vista (D1)	depending on pressure rating										
² if possible											
Special dimensions and other standards on request											



High pressure sight glass CLASS 300 to 1500

Flow sight glass with flange connections

Type 520A

PRODUCTCODE:

Group	TYPE	NPS	CLASS	Body*	Glass	Gasket	Variant
11	520A	1: 1/2" 2: 3/4" 3: 1" 4: 1 1/2" 5: 2" 6: 2 1/2" 7: 3" 8: 4" 9: 5" 10: 6" 11: 8" 12: Special	1: 300 2: 400 3: 600 4: 800 5: 900 6: 1500 8: Special	1: 1.4571 2: 1.4541 3: 1.4404 4: 1.4539 8: Special	1: Borosilicate glass (Boro) DIN 7080 2: Soda lime glass 3: Quartz glass 4: Boro + Mica 5: META® glass 8: Sapphire glass	7: Graphite 8: Special	Assigned by ACI if required

INFO: Unless otherwise stated, the factory standard highlighted is supplied.

* Cover flanges made of body material or according to quotation / order confirmation

SPECIAL DESIGNS/OPTIONS:

- a) Double glazing
- b) Mica protection
- c) FEP protective screen
- d) LED or halogen lights, ATEX-certified, EX
- e) Additional options on request

EXAMPLE:

11-520A-10-4-1-1-7-0 equals the product code:

ACI Type 520A
NPS 6"
CLASS 300
body 1.4571
borosilicate glass
gasket graphite
standard version

ATTENTION!

The pressure-temperature limits according to ASME 16.5 B apply!

Our tool of the same name is available on our website for this purpose.

(www.ACI24.com, in the category Service, Tools)



RECOMMENDATION:

For aggressive media or steam, mica discs should be used to protect the glass.