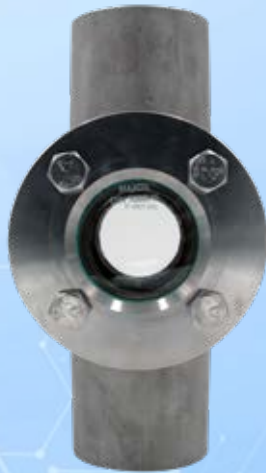




# Flow sight glass PN 10 to PN 63

Flow sight glass with welding ends

# Type 531



### APPLICATION:

For observation of filling and flow in pipelines. This sight glass allows reliable monitoring of the function and performance of individual equipment as well as entire installations.

With standard sight glasses, pipelines that must be completely emptied have a residual liquid in the sight glass area. **With this sight glass fitting, virtually almost no residual liquid remains when installed horizontally!**

### INSTALLATION NOTE:

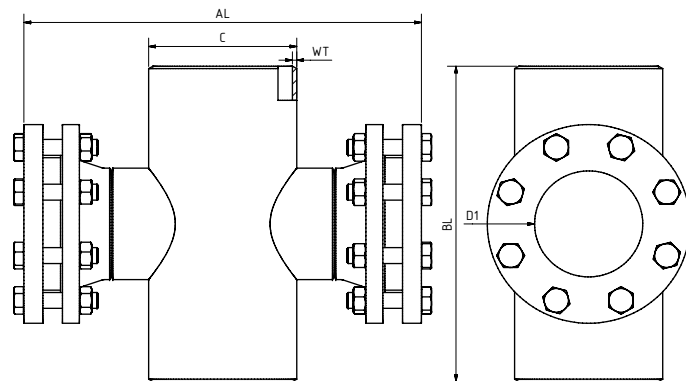
After the base body has been welded in, check whether the sealing surfaces have warped! If necessary, rework must be performed! For the welding process it is advisable to weld in the sight glass in the disassembled state or use low heat exposure. In case of non-compliance, the glasses can be damaged. Note the torques required for assembly!

**With welding ends**

**( $\Delta P \leq 10 / 16 / 25 / 40 / 63$  bar)**

### Operating conditions:

Temperature: (depending on glass and gasket)	150°C 280 °C	
Pressure:	$\leq 10$ to $63^1$	Bar
<sup>1</sup> above see Type 521		



### Materials:

Body:	1.4571; 1.4539; 1.4404
Glass:	Borosilicate glass DIN 7080 Soda lime glass DIN 8902 Quartz glass Mica META® glass
Gasket:	PTFE; FKM; NBR; C4400; Silicone; EPDM; Graphite
Screws:	A4-70
Special materials on request	

DN	40	50	80	100	125	150	200	250	300	350	400
BL	200	230	310	350	400	480	600	730	850	980	1100
D1	35	45	55	83	107	132	160	160	160	160	160
AL <sup>2</sup>	260	260	340	380	420	470	580	650	700	750	800
C	48,3	60,3	88,9	114,3	139,7	168,3	168,3	219,1	273	355,6	406,4
WT	2,6	2,9	3,2	3,6	4	4,5	6,3	7,1	8	8,8	11

<sup>2</sup> other dimensions on request

Dimensions acc. to PN 16, other pressure ratings may vary

Special dimensions and other standards on request



# Flow sight glass PN 10 to PN 63

Flow sight glass with welding ends

## Type 531

### PRODUCTCODE:

Group	TYPE	DN	PN	Body*	Glass	Gasket	Variant
11	531	40 50 80 100 125 150 200 250 300 350 400 Special	0: 10 <b>1: 16</b> 2: 25 3: 40 4: 63 5: Special	<b>1: 1.4571</b> 2: 1.4404 3: 1.4539 4: Special	<b>1: Borosilicate glass (Boro) DIN 7080</b> 2: Soda lime glass (NKG) DIN 8902 3: Quartz glass 4: Boro + Mica 6: META®-Glas	1: PTFE 2: FKM 3: NBR 4: C4400 5: Silicone 6: EPDM <b>7: Graphite</b> 8: Special	Assigned by ACI if required

**INFO:** Unless otherwise stated, the factory standard highlighted is supplied.

\* Cover flanges made of body material or according to quotation / order confirmation

### SPECIAL DESIGNS/OPTIONS:

- a) Double glazing (Type 531D)
- b) High pressure version (Type 521)
- c) Mica protection
- d) FEP protective screen
- e) LED or halogen lights, ATEX-certified, EX
- f) Additional options on request

### EXAMPLE:

**11-531-100-1-1-1-7-0** equals the product code:  
ACI Type 531  
DN100  
PN16  
body 1.4571  
borosilicate glass  
gasket graphite  
standard version

### RECOMMENDATION:

For aggressive media or steam, mica discs should be used to protect the glass.