

#### APPLICATION:

For observation of filling and flow in pipelines. This sight glass allows reliable monitoring of the function and performance of individual equipment as well as entire installations.

Type 570 flow sight glasses are suitable for mounting on flanges according to DIN EN 1092-1. The sight glasses are supplied pre-assembled and ready for installation.

#### INSTALLATION NOTE:

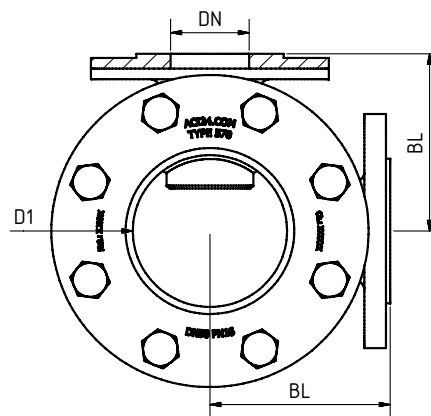
Gaskets suitable for the sealing surfaces should be used. The screw material should be equivalent to or higher than those of the sight glass body. Always use screws that match the hole pattern. If possible, the screw thread and the screw head should be lubricated.

Angle form with flange connections for DIN 1092-1 ( $\Delta P \leq 10 / 16 / 20 / 40$  bar)

#### Operating conditions:

Temperature: (depending on glass and gasket)	150°C 280 °C
Pressure:	$\leq 10 / 16 / 20 / 40^1$ Bar

<sup>1</sup> above see Type 575



#### Materials:

Body:	1.4571; 1.4539; 1.4404
Glass:	Borosilicate glass DIN 7080 Soda lime glass DIN 8902
Gasket:	PTFE; FKM; NBR; C4400; Silicone; EPDM; Graphite
Screws:	A4-70
Special materials on request	

DN	15	20	25	40	50	65	80	100
overall length (BL) <sup>2</sup>	DIN EN 558-1 CTF 8 (DIN 3202 F32)							
flange dimensions	DIN EN 1092-1							
vista (D1)	43	43	70	83	107	107	132	160
<sup>2</sup> other dimensions on request								
Dimensions acc. to PN 16, other pressure ratings may vary								
Special dimensions and other standards on request								



# Flow sight glass PN 10 to PN 40

Sight glass in angle form with flange connections

## Type 570

### PRODUCTCODE:

Group	TYPE	DN	PN	Body*	Glass	Gasket	Variant
11	570	1: 15 2: 20 3: 25 4: 40 5: 50 6: 65 7: 80 8: 100 9: Special	1: 10 2: 16 3: 25 4: 40 5: Special	1: <b>1.4571</b> 2: 1.4541 3: 1.4404 4: 1.4539 8: Special	1: <b>Borosilicate glass (Boro) DIN 7080</b> 2: Soda lime glass (NKG) DIN 7080 3: Quarzglas 4: Boro + Mica	1: PTFE 2: FKM 3: NBR 4: C4400 5: Silicone 6: EPDM 7: <b>Graphite</b> 8: Special	Assigned by ACI if required

**INFO:** Unless otherwise stated, the factory standard highlighted is supplied.

\* Cover flanges made of body material or according to quotation / order confirmation

### SPECIAL DESIGNS/OPTIONS:

- a) High pressure version (Type 575)
- b) LED or halogen lights, ATEX-certified, Ex
- (c) FEP protective screen
- d) Mica protection
- e) Additional options on request

### EXAMPLE:

**11-570-5-2-1-1-7-000** equals the product code:  
ACI Type 570  
DN50  
PN16  
body 1.4571  
borosilicate glass  
gasket graphite  
standard version

### ATTENTION!

The pressure-temperature limits according to DIN EN 1092-1 apply!

Our tool of the same name is available on our website for this purpose.  
([www.ACI24.com](http://www.ACI24.com), in the category Service, Tools)



### RECOMMENDATION:

For aggressive media or steam, mica discs should be used to protect the glass.