



### APPLICATION:

For observation of filling and flow in pipelines. This sight glass allows reliable monitoring of the function and performance of individual equipment as well as entire installations.

Type 571 flow sight glasses are suitable for direct welding into pipelines. The sight glasses are supplied pre-assembled and ready for installation.

### INSTALLATION NOTE:

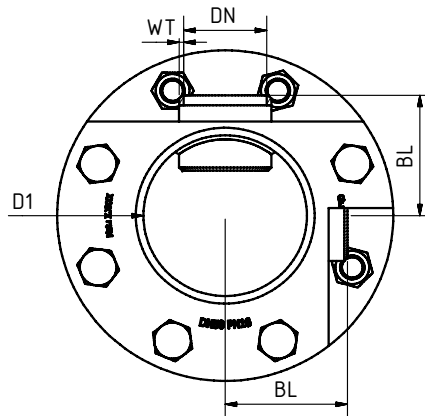
After the base body has been welded in, check whether the sealing surfaces have warped! If necessary, rework must be performed! For the welding process it is advisable to weld in the sight glass in the disassembled state or use low heat exposure. In case of non-compliance, the glasses can be damaged. Note the torques required for assembly!

Angle form with welding ends  
( $\Delta P \leq 10 / 16 / 20 / 40$  bar)

### Operating conditions:

Temperature: (depending on glass and gasket)	150°C 280 °C
Pressure:	$\leq 10 / 16 / 20 / 40^1$ Bar

<sup>1</sup> above see Type 576



### Materials:

Body:	1.4571; 1.4539; 1.4404
Glass:	Borosilicate glass DIN 7080 Soda lime glass DIN 8902
Gasket:	PTFE; FKM; NBR; C4400; Silicone; EPDM; Graphite
Screws:	A4-70
Special materials on request	

DN	15	20	25	40	50	65	80	100
overall length (BL)	on request or special dimensions							
wall thickness (WT)	suitable for DN and pressure stage							
vista (D1)	43	43	70	83	107	107	132	160
Dimensions acc. to PN 16, other pressure ratings may vary								
Special dimensions and other standards on request								



# Flow sight glass PN 10 to PN 40

Sight glass in angle form with welding ends

## Type 571

### PRODUCTCODE:

Group	TYPE	DN	PN	Body*	Glass	Gasket	Variant
11	571	1: 15 2: 20 3: 25 4: 40 5: 50 6: 65 7: 80 8: 100 9: Special	1: 10 2: 16 3: 25 4: 40 5: Special	1: <b>1.4571</b> 2: 1.4541 3: 1.4404 4: 1.4539 8: Special	1: <b>Borosilicate glass (Boro) DIN 7080</b> 2: Soda lime glass (NKG) DIN 8902 3: Quarzglas 4: Boro + Mica	1: PTFE 2: FKM 3: NBR 4: C4400 5: Silicone 6: EPDM 7: <b>Graphite</b> 8: Special	Assigned by ACI if required

**INFO:** Unless otherwise stated, the factory standard highlighted is supplied.

\* Cover flanges made of body material or according to quotation / order confirmation

### SPECIAL DESIGNS/OPTIONS:

- a) High pressure version (Type 576)
- b) LED or halogen lights, ATEX-certified, Ex
- (c) FEP protective screen
- d) Mica protection
- e) Additional options on request

### EXAMPLE:

**11-571-5-2-1-1-7-000 equals the product code:**

ACI Type 571  
DN50  
PN16  
body 1.4571  
borosilicate glass  
gasket graphite  
standard version

### RECOMMENDATION:

For aggressive media or steam, mica discs should be used to protect the glass.